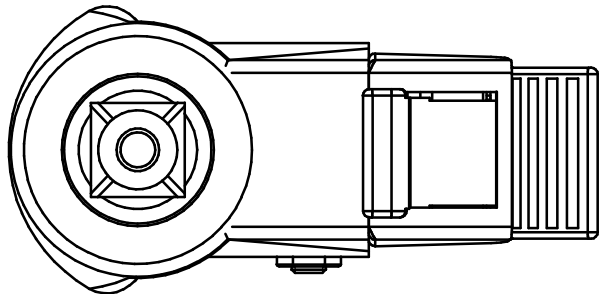
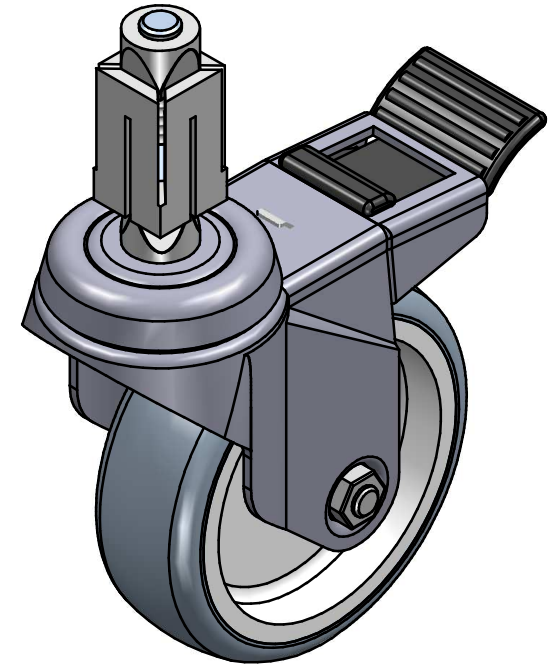
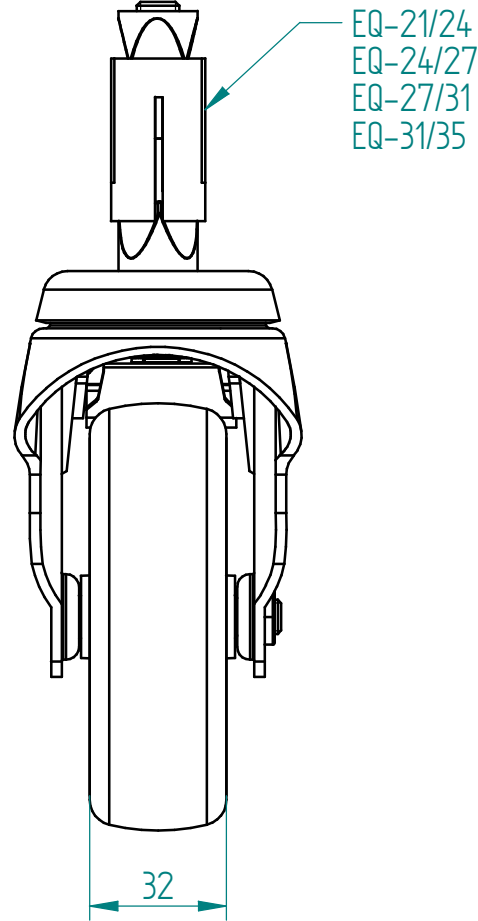
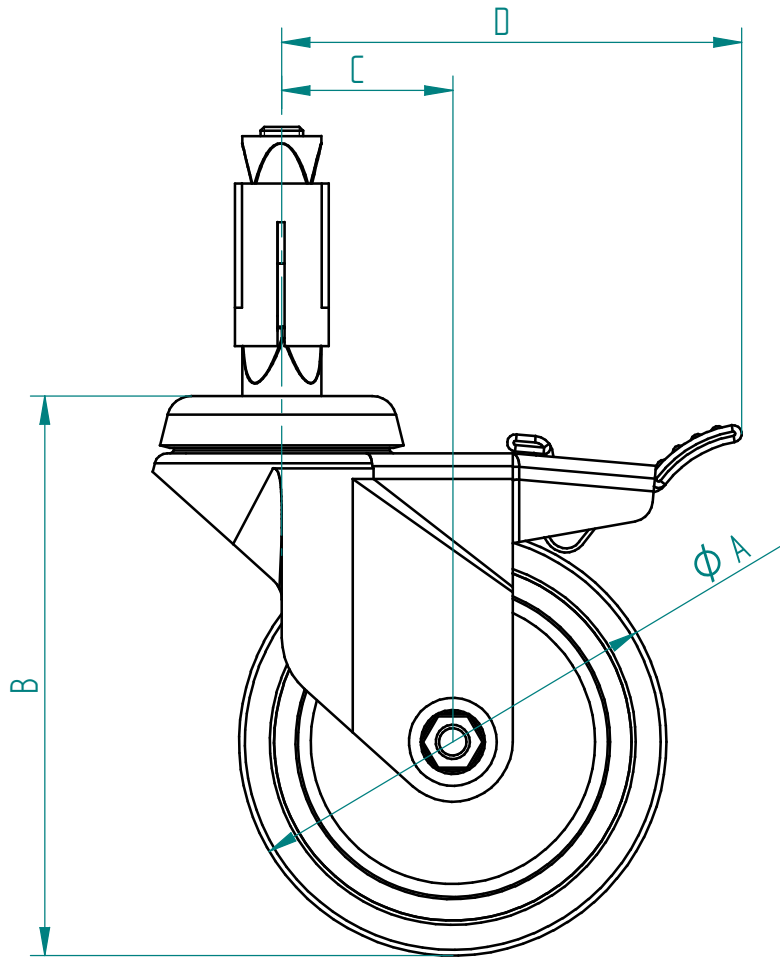



S Series			
A (mm)	B (mm)	C (mm)	D (mm)
75	109	28	95
100	131,5	40	107
125	156,5	40	107
150	181,5	45	112



	PRODUCTION OF INSTITUTIONAL CATRORS AND WHEELS THESSALONIKI - GREECE		PERMIS. VARIATIONS:	PART No.:
	This drawing is the property of RODA S.A. It must neither be reproduced in any manner nor shall it be submitted to third parties or competitors without our written consent		SURFACE FINISH:	UNF. DIM.:
DESIGNED 21/2/2011 ALISANDRATOS S.		DRAWN 21/2/2011 ALISANDRATOS S.		MATERIAL:
CHECKED 21/2/2011		PART DESCRIPTION :		DRAWING
C3 B2 A1 A/A		QUANTITY REPLACE		SHEET No.
		SCALE		GEN. DWG. NUM.:
		S Series EQSBK: Expander Square Brake		