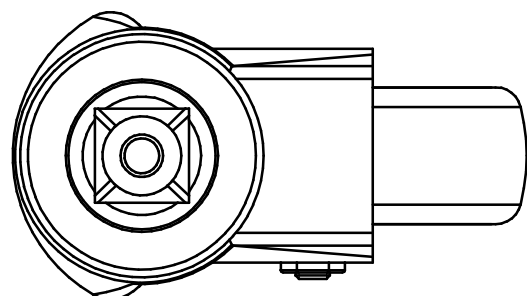
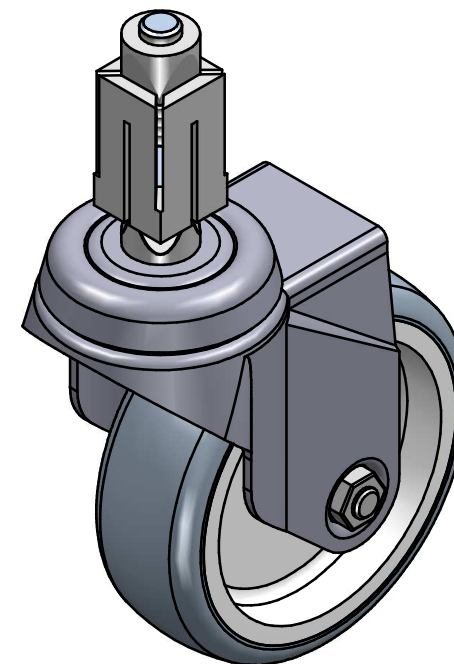
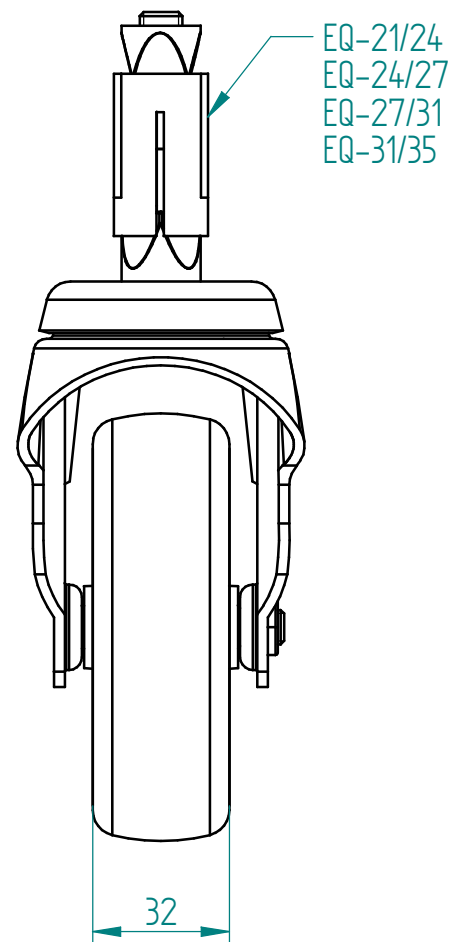
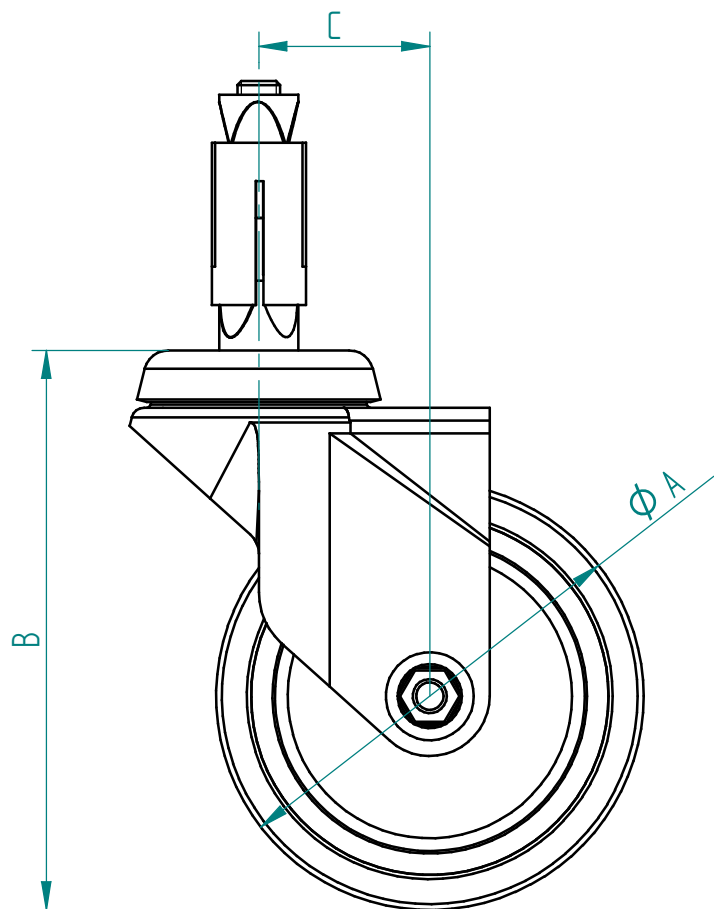



S Series		
A (mm)	B (mm)	C (mm)
75	109	28
100	131,5	40
125	156,5	40
150	181,5	45



	PRODUCTION OF INSTITUTIONAL CASTORS AND WHEELS	PERMIS. VARIATIONS:	PART No.:
		SURFACE FINISH:	UNF. DIM.:
THESSALONIKI - GREECE			MATERIAL:
This drawing is the property of RODA S.A. It must neither be reproduced in any manner nor shall it be submitted to third parties or competitors without our written consent		DESIGNED 21/2/2011 ALISANDRATOS S. DRAWN 21/2/2011 ALISANDRATOS S. CHECKED 21/2/2011	PART DESCRIPTION : <b>S Series</b> <b>EQS:Expander Square</b>
C3		QUANTITY SCALE REPLACE	DRAWING SHEET No. GEN. DWG. NUM. :
B2			
A1			
A/A			