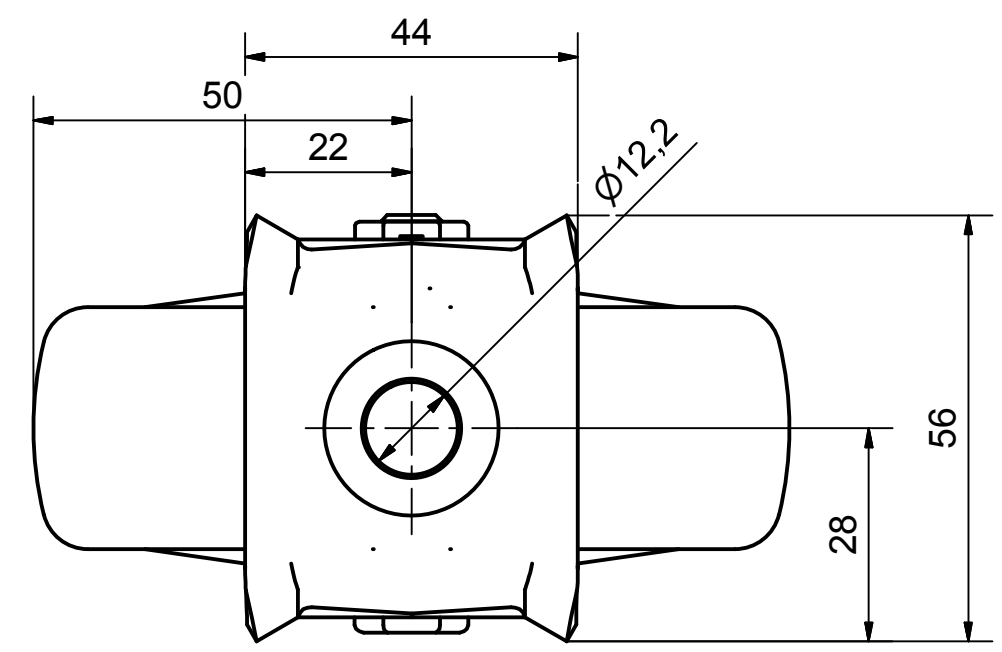



Load Capacity: 90kg, for speed up to 4km/h  
(According to EN 12530)



 PRODUCTION OF INSTITUTIONAL CASTORS AND WHEELS THESSALONIKI - GREECE	PERMIS. VARIATIONS:		PART No:	
	SURFACE FINISH :		UNF . DIM.:	
This drawing is the property of RODA S.A. It must neither be reproduced in any manner nor shall it be submitted to third parties or competitors without our written consent			PART NAME : <b>SX.100.TPA.HFGX</b>	
DESIGNED	23/7/2013	E.POLIMEROPOULOU	PART DESCRIPTION : <b>Fixed castor, stainless support, bolt hole fitting (12,2mm).Wheel 100x32mm,non marking grey rubber (82shA) plain bearing,stainl</b>	
DRAWN	23/7/2013	E.POLIMEROPOULOU	DRAWING NUMBER :	
CHECKED	23/7/2013	H.SAATSOGLOU	SHEET No.	
C3			QUANTITY	SCALE
B2			REPLACE :	GEN. DWG. NUM. :
A1				
A/A				