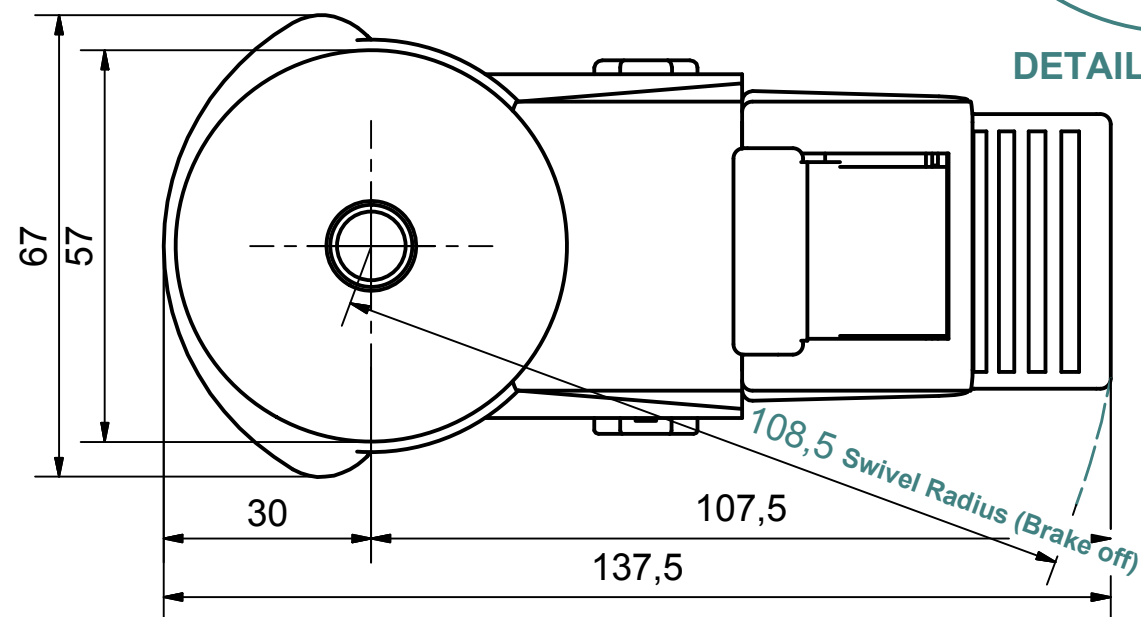



**Load Capacity: 90kg, for speed up to 4km/h  
(According to EN 12530)**



**DETAIL i (Brake on)**

|   |                     |           |                  |  |
|---|---------------------|-----------|------------------|--|
| <br>PRODUCTION OF INSTITUTIONAL CASTORS AND WHEELS<br>THESSALONIKI - GREECE            | PERMIS. VARIATIONS: |           | PART No:         |  |
|   | SURFACE FINISH:     |           | UNF . DIM.:      |  |
| This drawing is the property of RODA S.A. It must neither be reproduced in any manner nor shall it be submitted to third parties or competitors without our written consent | DESIGNED            | 24/7/2013 | E.POLIMEROPOULOU | PART NAME : <b>SX.100.NA.BSBK</b><br><br>PART DESCRIPTION : <b>Swivel+brake castor, stainless support, bolt stem M12x25mm.Wheel 100x32mm,white polyamide plain bearing</b> |
|   | DRAWN               | 24/7/2013 | E.POLIMEROPOULOU |  |
|   | CHECKED             | 24/7/2013 | H.SAATSOGLOU     |  |
| C3  |                     |           |                  | DRAWING NUMBER :   |
| B2  |                     |           |                  |  |
| A1  |                     |           |                  | DRAWING NUMBER :   |
| A/A   |                     |           |                  |  |
|   |                     |           | QUANTITY         | SCALE  |
|   |                     |           | REPLACE :        |  |