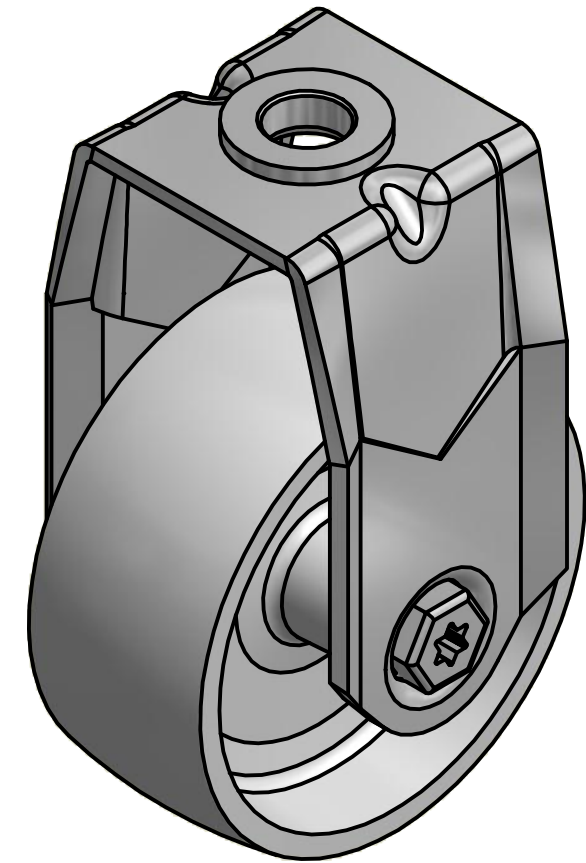
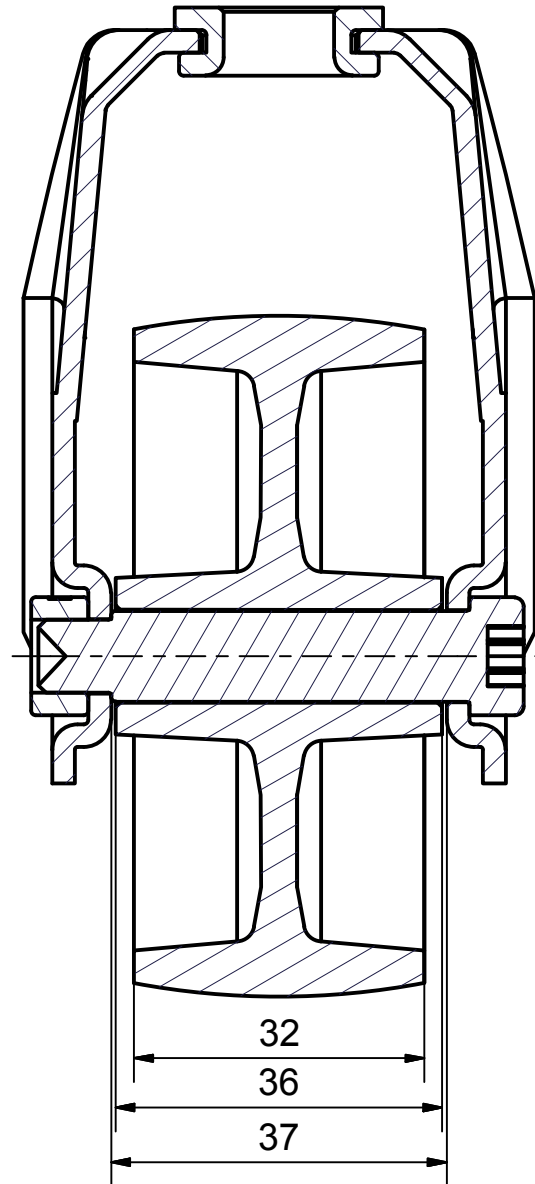
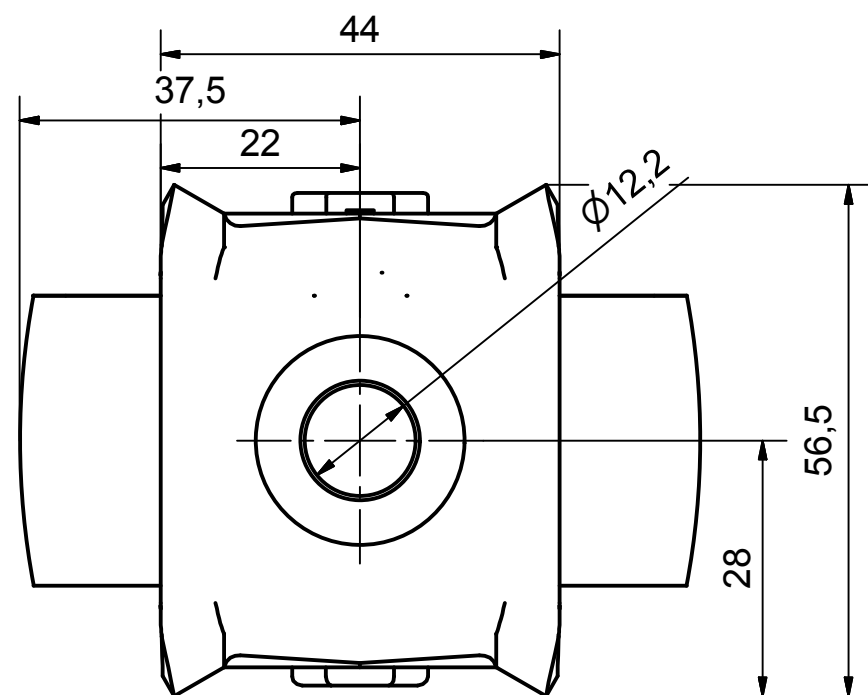



SECTION A-A'



Load Capacity: 70kg, for speed up to 4km/h
(According to EN 12530)



| | | | |
|---|---------------------|------------------|--|
|  PRODUCTION OF INSTITUTIONAL CASTORS AND WHEELS THESSALONIKI - GREECE | PERMIS. VARIATIONS: | | PART No: |
| | SURFACE FINISH : | | UNF . DIM.: |
| This drawing is the property of RODA S.A. It must neither be reproduced in any manner nor shall it be submitted to third parties or competitors without our written consent | DESIGNED | 17/7/2013 | E.POLIMEROPOULOU |
| | DRAWN | 17/7/2013 | E.POLIMEROPOULOU |
| | CHECKED | 17/7/2013 | H.SAATSOGLOU |
| PART NAME : SX.075.NA.HF | | | PART DESCRIPTION : Fixed castor, stainless support, bolt hole fitting (12,2mm).Wheel 75x32mm,white polyamide plain bearing |
| DRAWING NUMBER : | | SHEET No. | |
| QUANTITY | | SCALE | |
| REPLACE : | | GEN. DWG. NUM. : | |