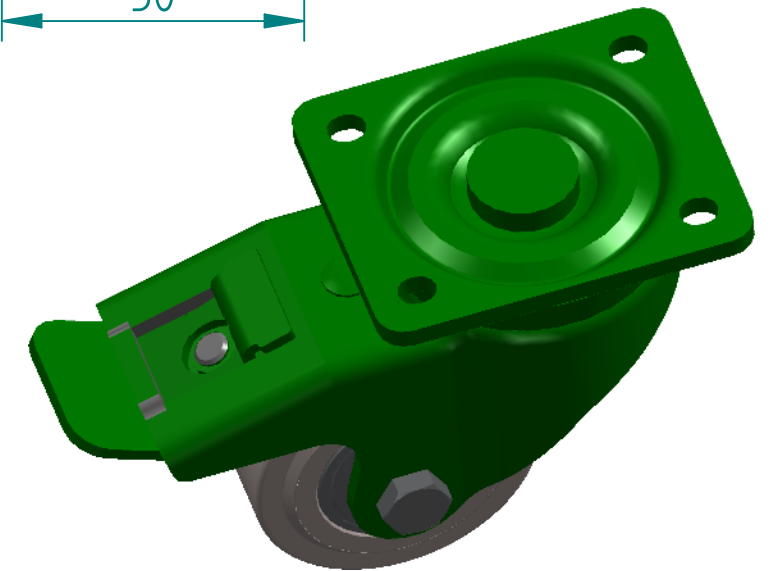
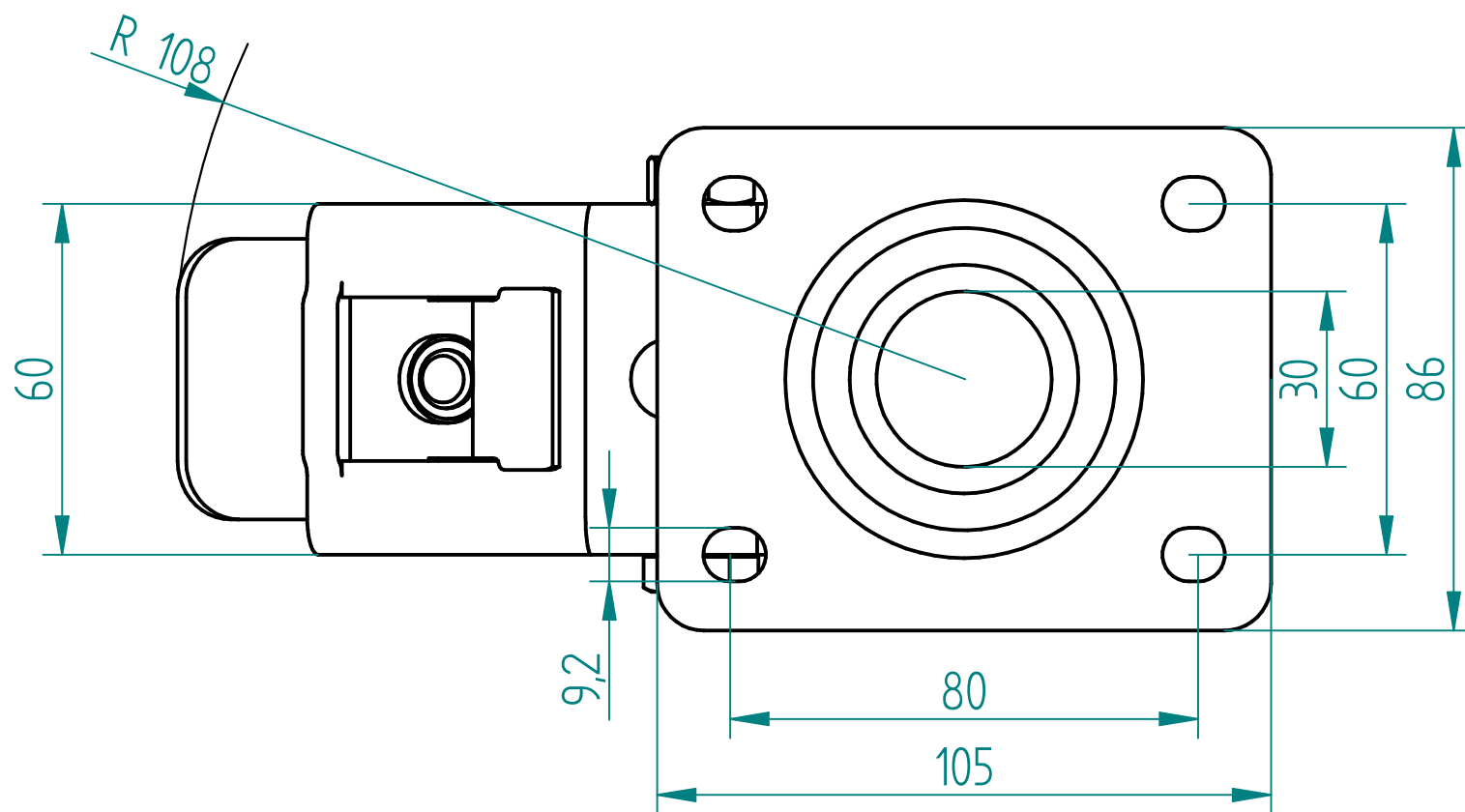
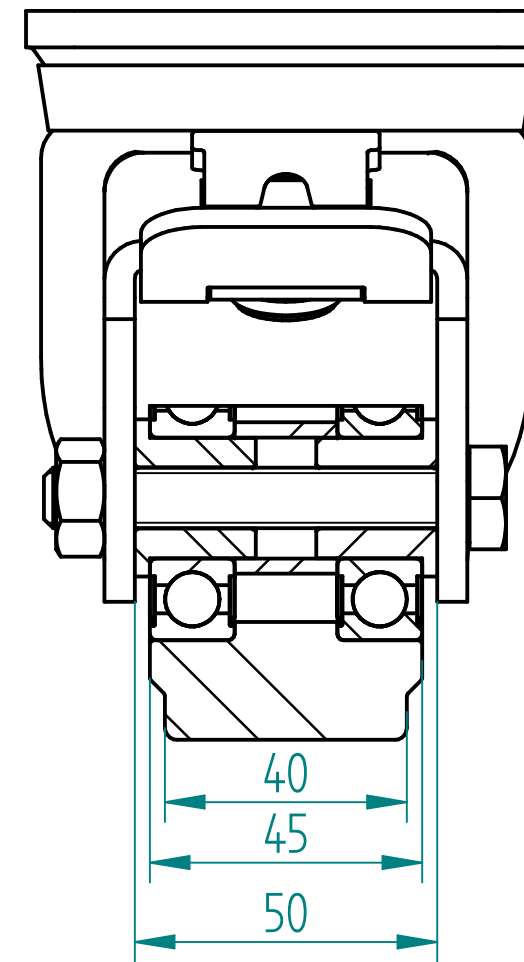



SECTION A-A



 RODA PRODUCTION OF INSTITUTIONAL AND INDUSTRIALCASTORS AND WHEELS THESSALONIKI - GREECE	PERMIS. VARIATIONS:			PART No:	
	SURFACE FINISH:			UNF. DIM.:	
This drawing is the property of RODA S.A. It must neither be reproduced in any manner nor shall it be submitted to third parties or competitors without our written consent	DESIGNED	14/7/2021	MALINIS I.	PART DESCRIPTION :	SNHRD80NHDSPF2
	DRAWN	14/7/2021	MALINIS I.		
	CHECKED	14/7/2021	SAATSOGLOU H.		
C3				DRAWING	SHEET No.
B2					
A1				SCALE	GEN. DWG. NUM. :
A/A					
QUANTITY			1:1,25		
REPLACE					