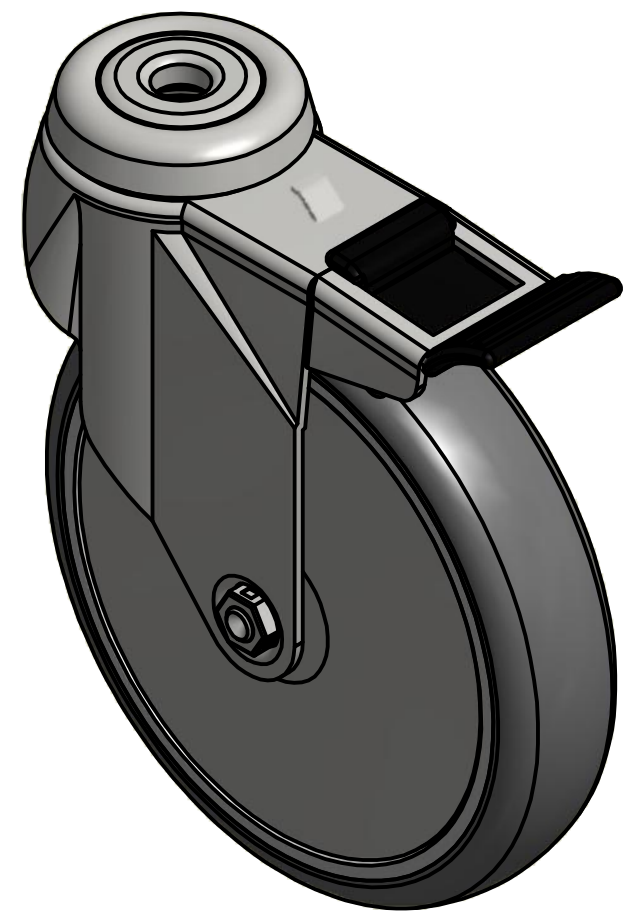
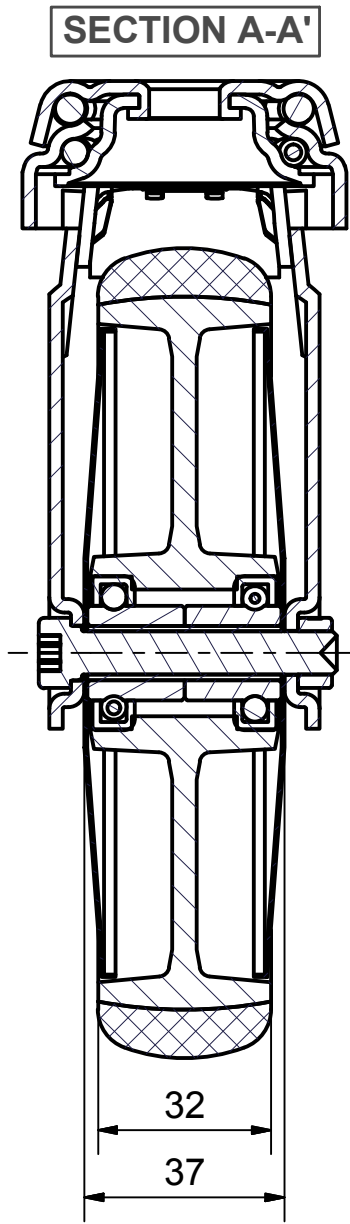
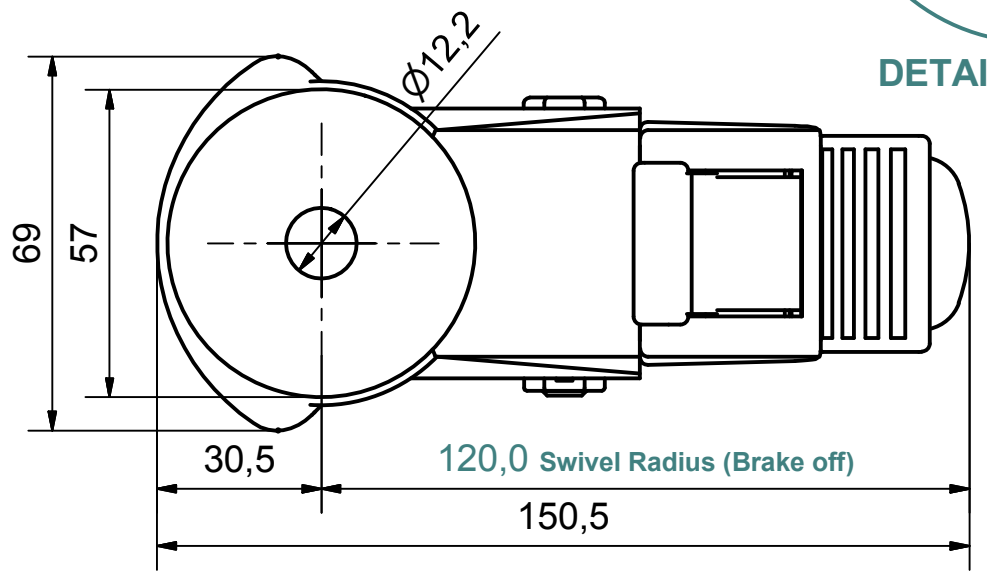



DETAIL i (Brake on)



Load Capacity: 100kg, for speed up to 4km/h
(According to EN 12530)



 PRODUCTION OF INSTITUTIONAL CASTORS AND WHEELS THESSALONIKI - GREECE	PERMIS. VARIATIONS:		PART No:	
	SURFACE FINISH :		UNF . DIM.:	
This drawing is the property of RODA S.A. It must neither be reproduced in any manner nor shall it be submitted to third parties or competitors without our written consent	DESIGNED	1/8/2013	E.POLIMEROPOULOU	PART DESCRIPTION : Swivel+brake castor, steel support, bolt hole fitting (12,2mm).Wheel 150x32mm,non marking grey rubber (82shA) double ball beari
	DRAWN	1/8/2013	E.POLIMEROPOULOU	
	CHECKED	1/8/2013	H.SAATSOGLOU	
C3				DRAWING NUMBER :
B2				
A1				QUANTITY SCALE REPLACE :
A/A				