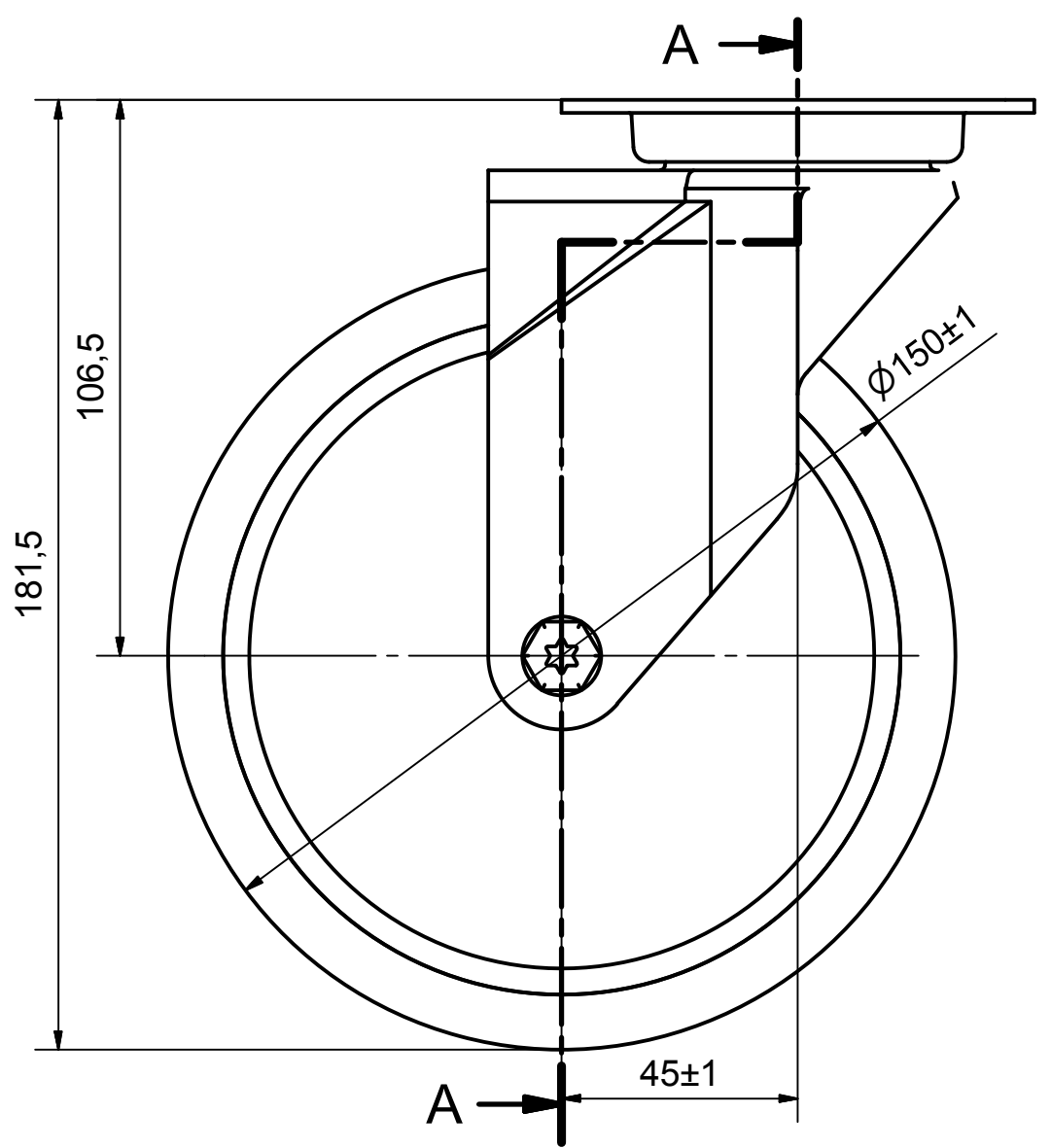
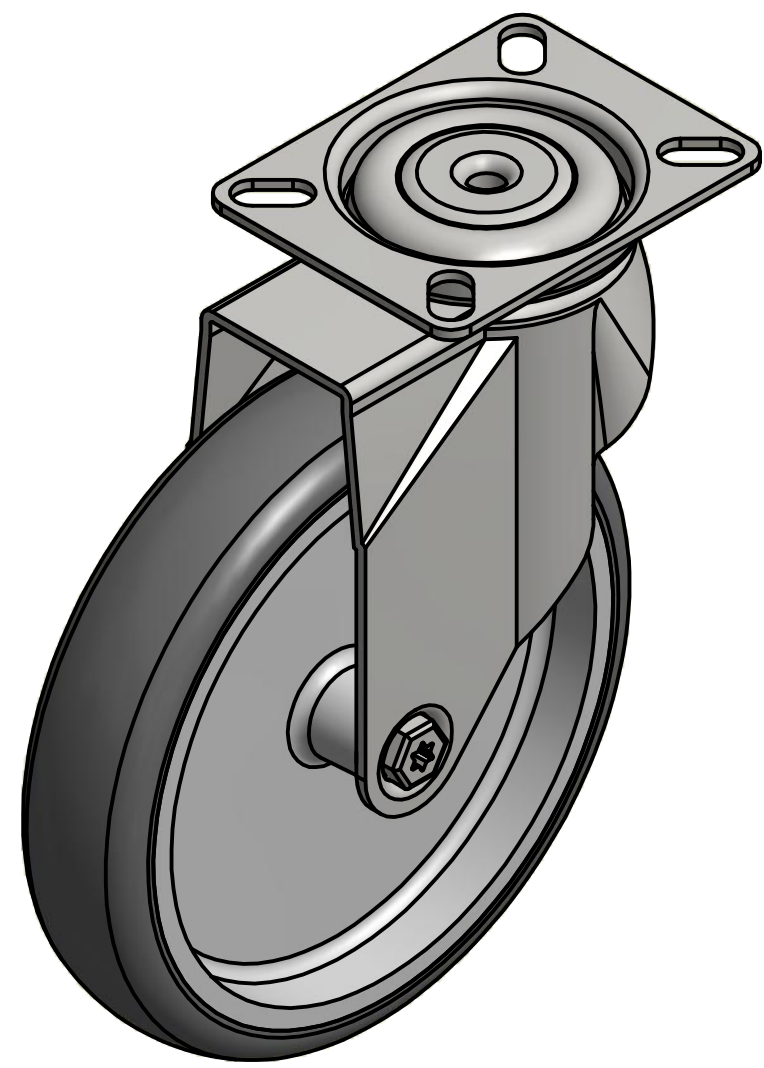
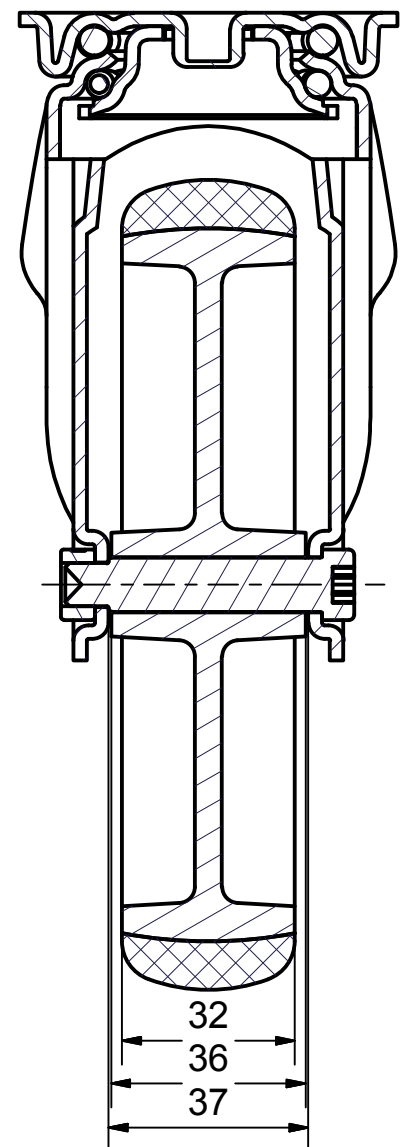


6 5 4 3 2 1

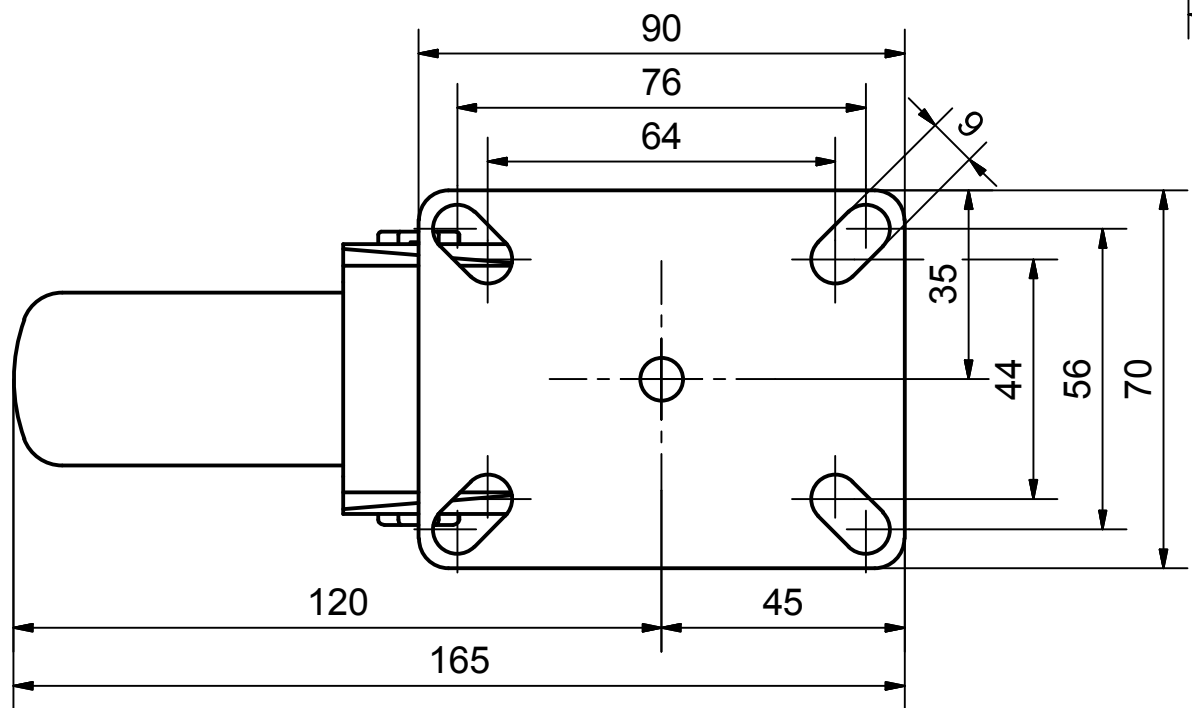
D
C
B
A




SECTION A-A'



Load Capacity: 100kg, for speed up to 4km/h
(According to EN 12530)



| | | | | | |
|---|---------------------|-----------|------------------|--|------------------|
|  PRODUCTION OF INSTITUTIONAL CASTORS AND WHEELS THESSALONIKI - GREECE | PERMIS. VARIATIONS: | | PART No: | | |
| | SURFACE FINISH : | | UNF . DIM.: | | |
| This drawing is the property of RODA S.A. It must neither be reproduced in any manner nor shall it be submitted to third parties or competitors without our written consent | DESIGNED | 31/7/2013 | E.POLIMEROPOULOU | PART NAME : S.150.TPA.TS PART DESCRIPTION : Swivel castor, steel support, top plate fitting.Wheel 150x32mm,non marking grey rubber (82shA) plain bearing | |
| | DRAWN | 31/7/2013 | E.POLIMEROPOULOU | | |
| | CHECKED | 31/7/2013 | H.SAATSOGLOU | | |
| C3 | | | | DRAWING NUMBER : | |
| B2 | | | | | SHEET No. |
| A1 | | | | QUANTITY | SCALE |
| A/A | | | | REPLACE : | GEN. DWG. NUM. : |

6 5 4 3 2 1