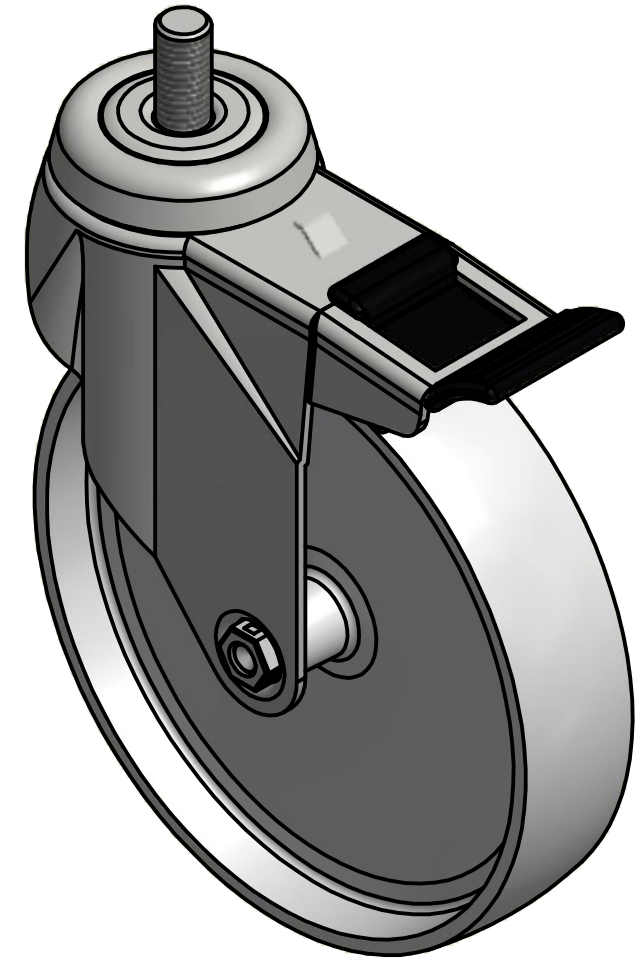
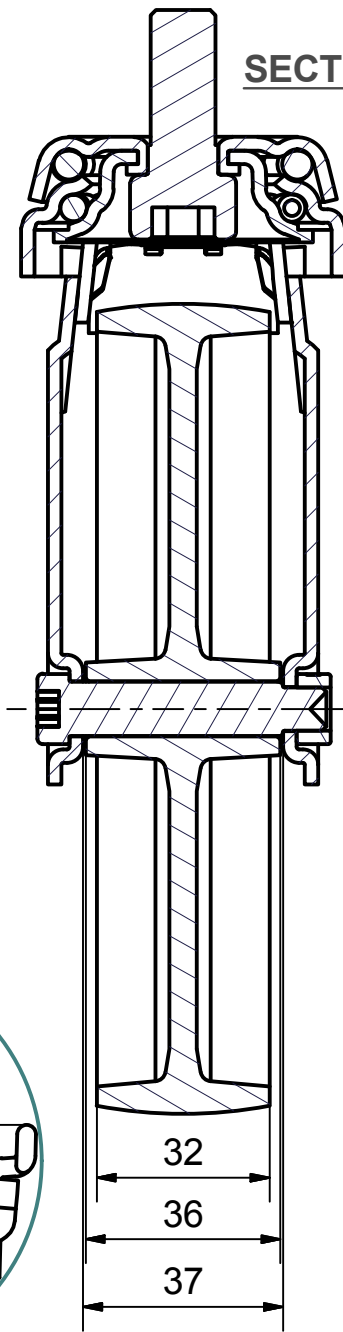
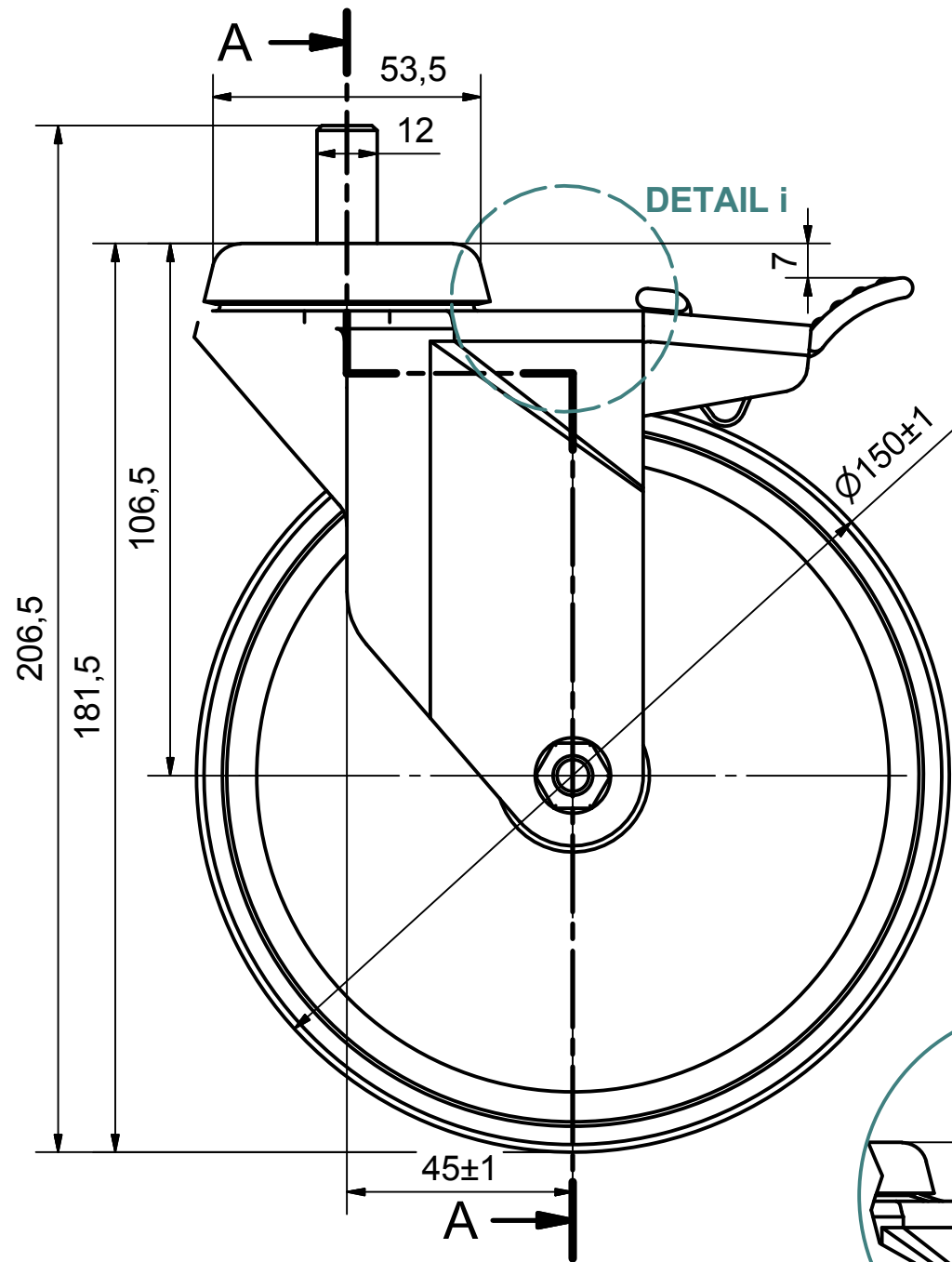
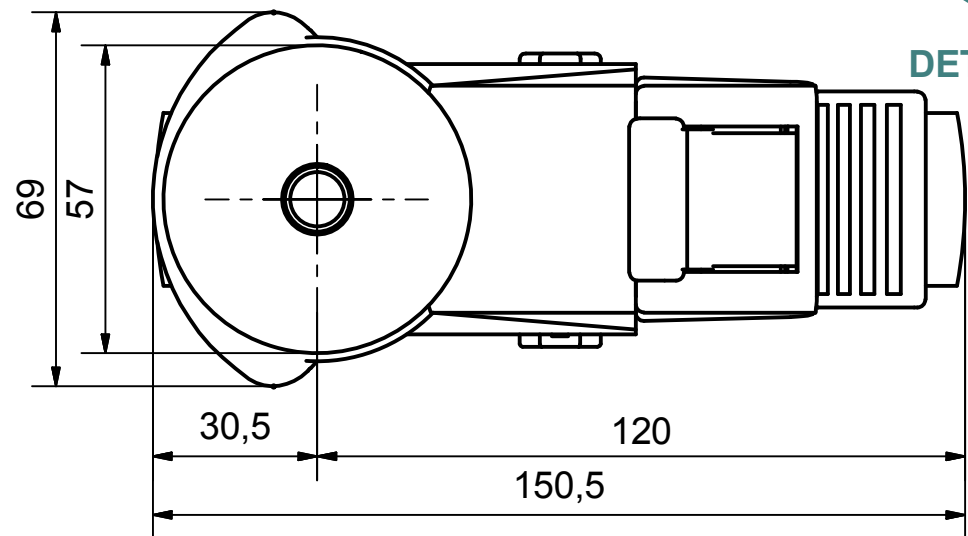
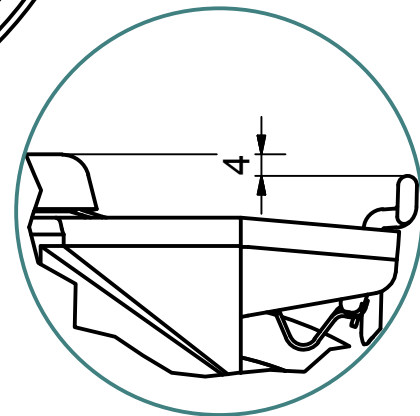


6 | 5 | 4 | 3 | 2 | 1


D
C
B
A



Load Capacity: 100kg, for speed up to 4km/h
(According to EN 12530)



DETAIL i (Brake on)

 PRODUCTION OF INSTITUTIONAL CASTORS AND WHEELS THESSALONIKI - GREECE	PERMIS. VARIATIONS:		PART No:
	SURFACE FINISH:		UNF . DIM.:
This drawing is the property of RODA S.A. It must neither be reproduced in any manner nor shall it be submitted to third parties or competitors without our written consent.	DESIGNED	1/8/2013	E.POLIMEROPOULOU
	DRAWN	1/8/2013	E.POLIMEROPOULOU
	CHECKED	1/8/2013	H.SAATSOGLOU
PART NAME :			S.150.NA.BSBK
PART DESCRIPTION :			Swivel+brake castor, steel support, bolt stem M12X25mm.Wheel 150x32mm,white polyamide plain bearing
DRAWING NUMBER :		QUANTITY	SCALE
SHEET No.		REPLACE :	GEN. DWG. NUM. :

6 | 5 | 4 | 3 | 2 | 1