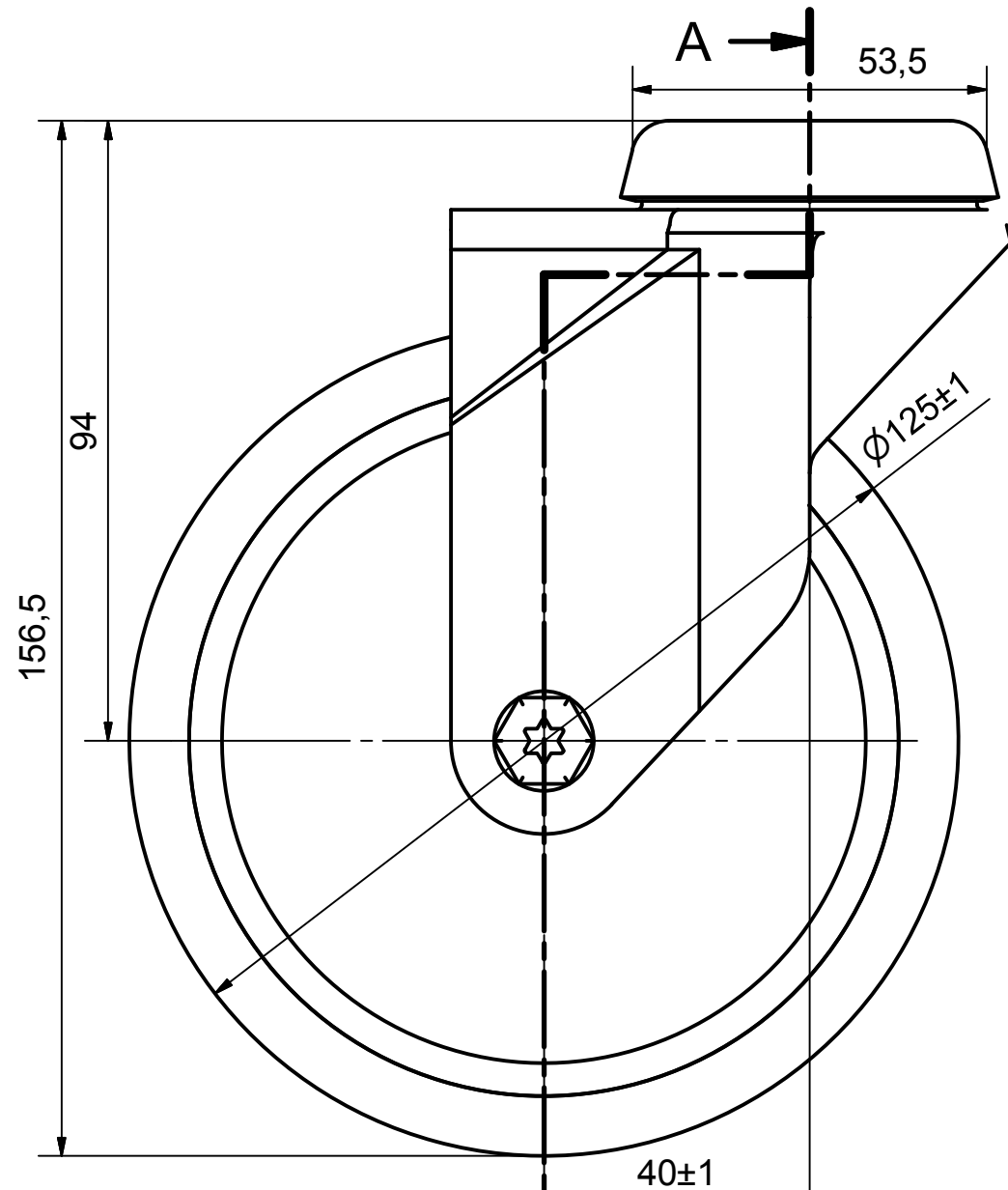
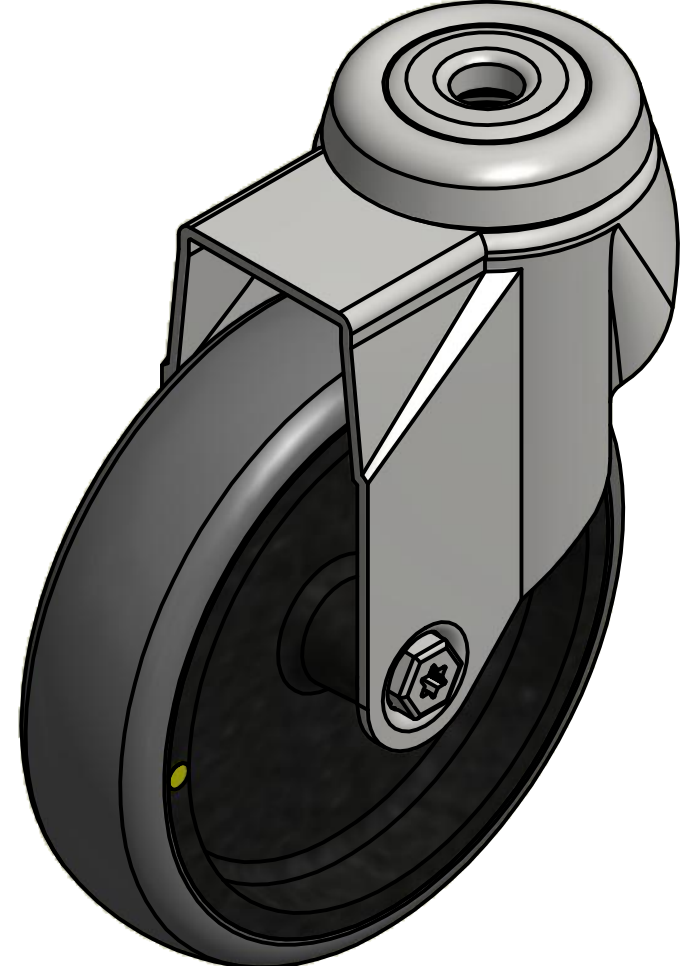
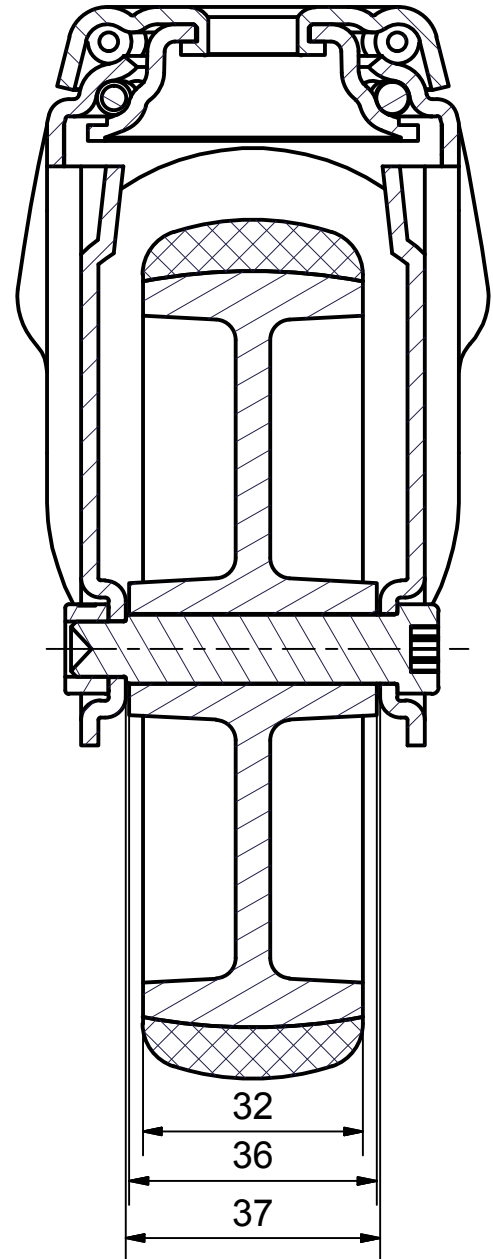


6 5 4 3 2 1

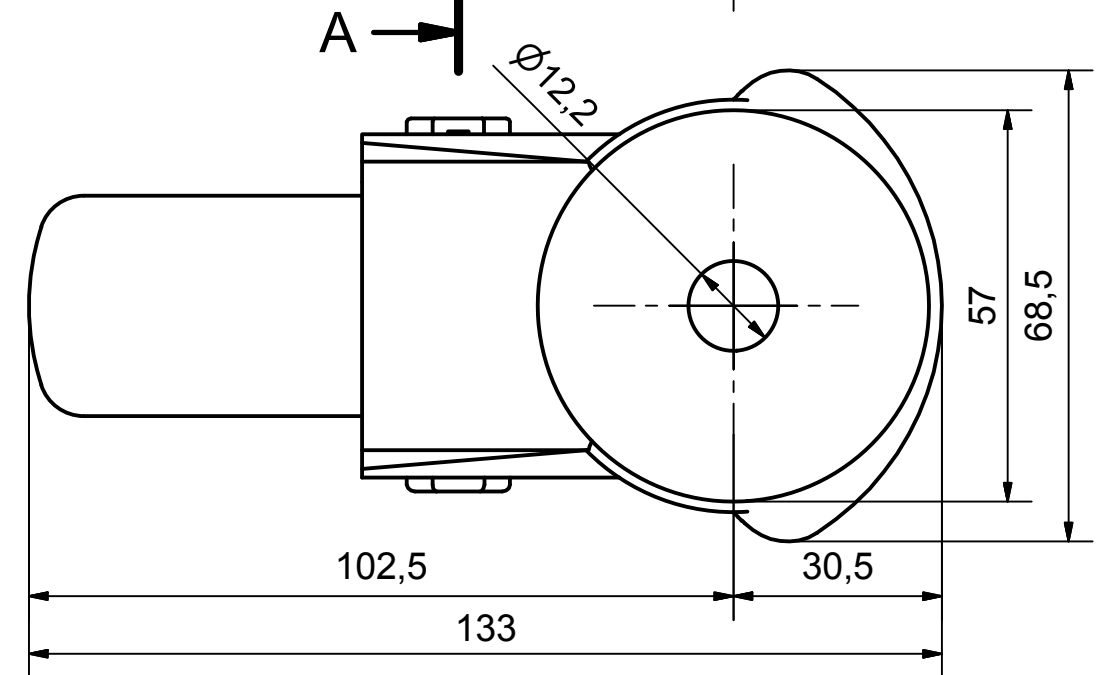
D
C
B
A




SECTION A-A'



Load Capacity: 100kg, for speed up to 4km/h
(According to EN 12530)



 PRODUCTION OF INSTITUTIONAL CASTORS AND WHEELS THESSALONIKI - GREECE	PERMIS. VARIATIONS:		PART No:
	SURFACE FINISH :		UNF . DIM.:
This drawing is the property of RODA S.A. It must neither be reproduced in any manner nor shall it be submitted to third parties or competitors without our written consent	DESIGNED	29/7/2013	E.POLIMEROPOULOU
	DRAWN	29/7/2013	E.POLIMEROPOULOU
	CHECKED	29/7/2013	H.SAATSOGLOU
			PART NAME : S.125.CPA.HS
			PART DESCRIPTION : Swivel castor, steel support, bolt hole fitting (12,2mm).Wheel 125x32mm,electric conductive non marking grey rubber (82shA) pla
C3			DRAWING NUMBER :
B2			SHEET No.
A1			
A/A		QUANTITY	SCALE
		REPLACE :	GEN. DWG. NUM. :

6 5 4 3 2 1