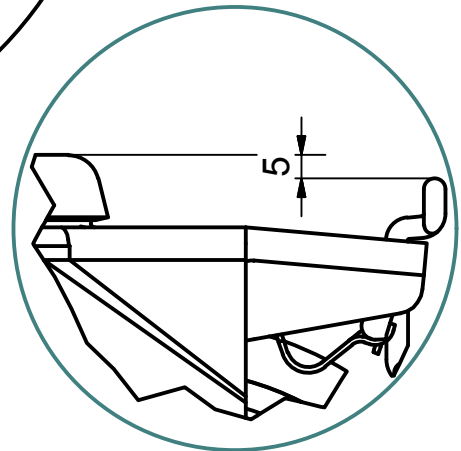
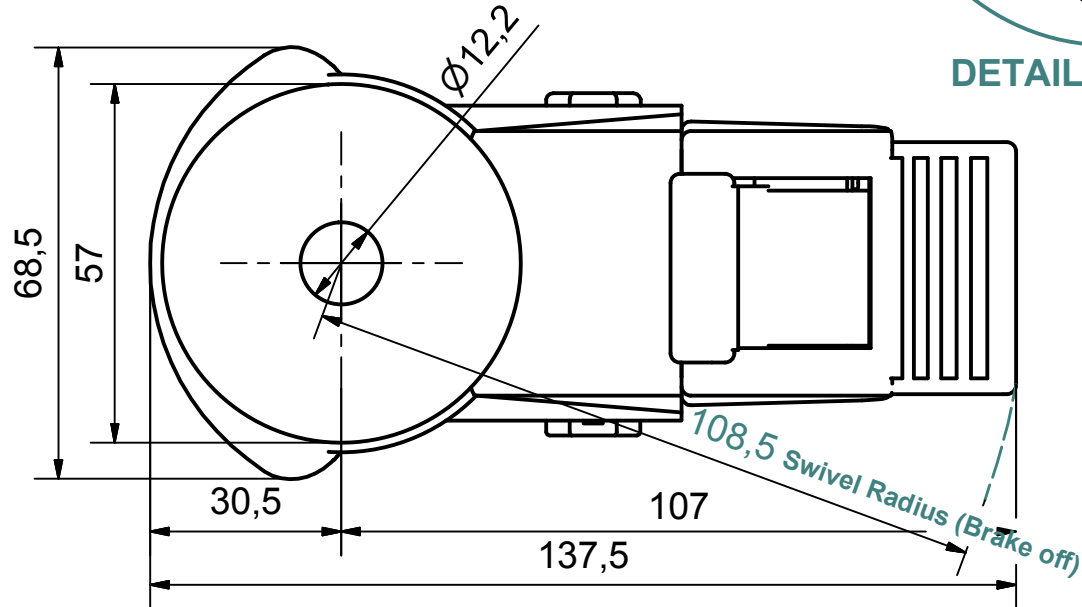



**Load Capacity: 100kg, for speed up to 4km/h
(According to EN 12530)**



DETAIL i (Brake on)



 PRODUCTION OF INSTITUTIONAL CASTORS AND WHEELS THESSALONIKI - GREECE	PERMIS. VARIATIONS:		PART No:	
	SURFACE FINISH:		UNF . DIM.:	
This drawing is the property of RODA S.A. It must neither be reproduced in any manner nor shall it be submitted to third parties or competitors without our written consent	DESIGNED 29/7/2013 E.POLIMEROPOULOU	PART NAME : S.125.CPA.HSBK		
	DRAWN 29/7/2013 E.POLIMEROPOULOU	PART DESCRIPTION : Swivel+brake castor, steel support, bolt hole fitting (12,2mm).Wheel 125x32mm,electric conductive non marking grey rubber (82sh)		
	CHECKED 29/7/2013 H.SAATSOGLOU	DRAWING NUMBER :		
C3 B2 A1 A/A	QUANTITY	SCALE	SHEET No.	
REPLACE :		GEN. DWG. NUM. :		