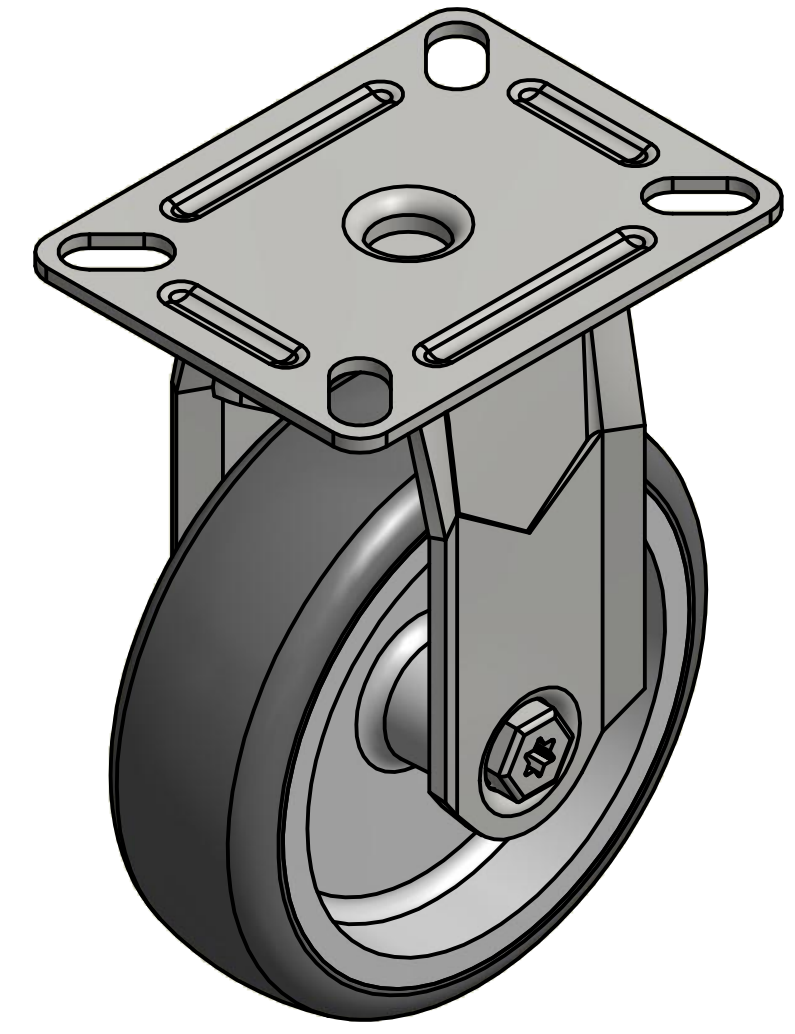
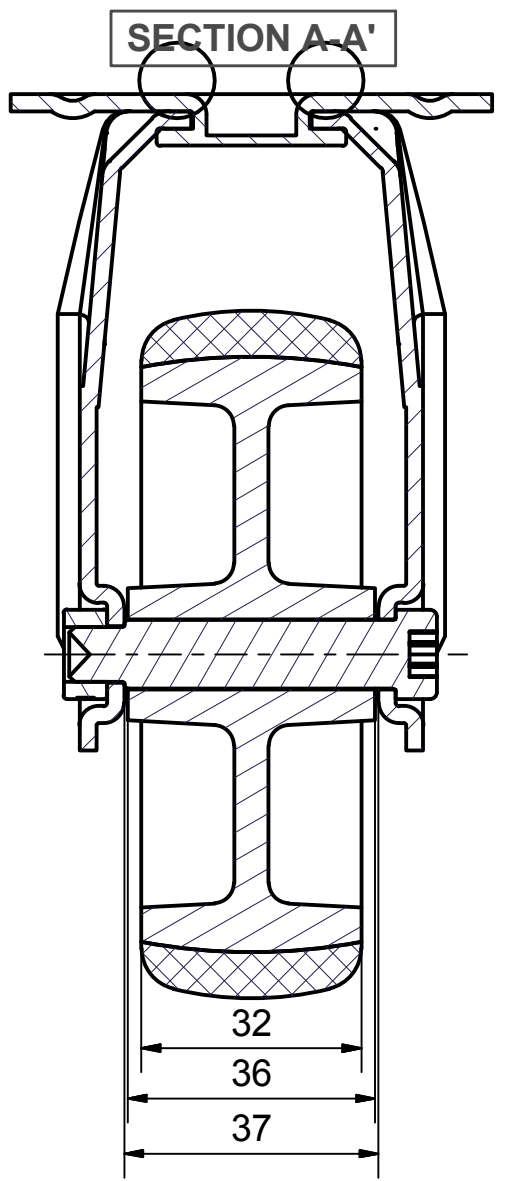
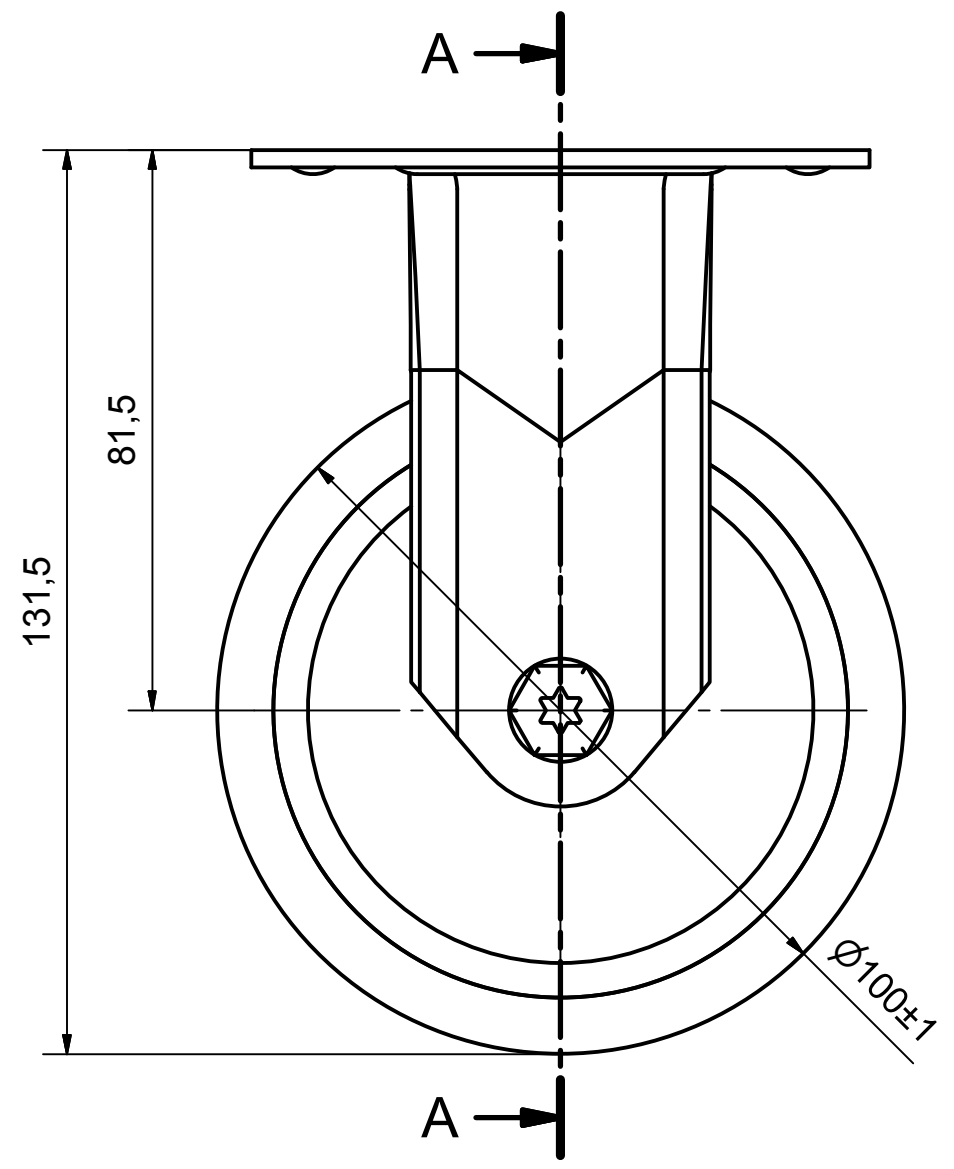
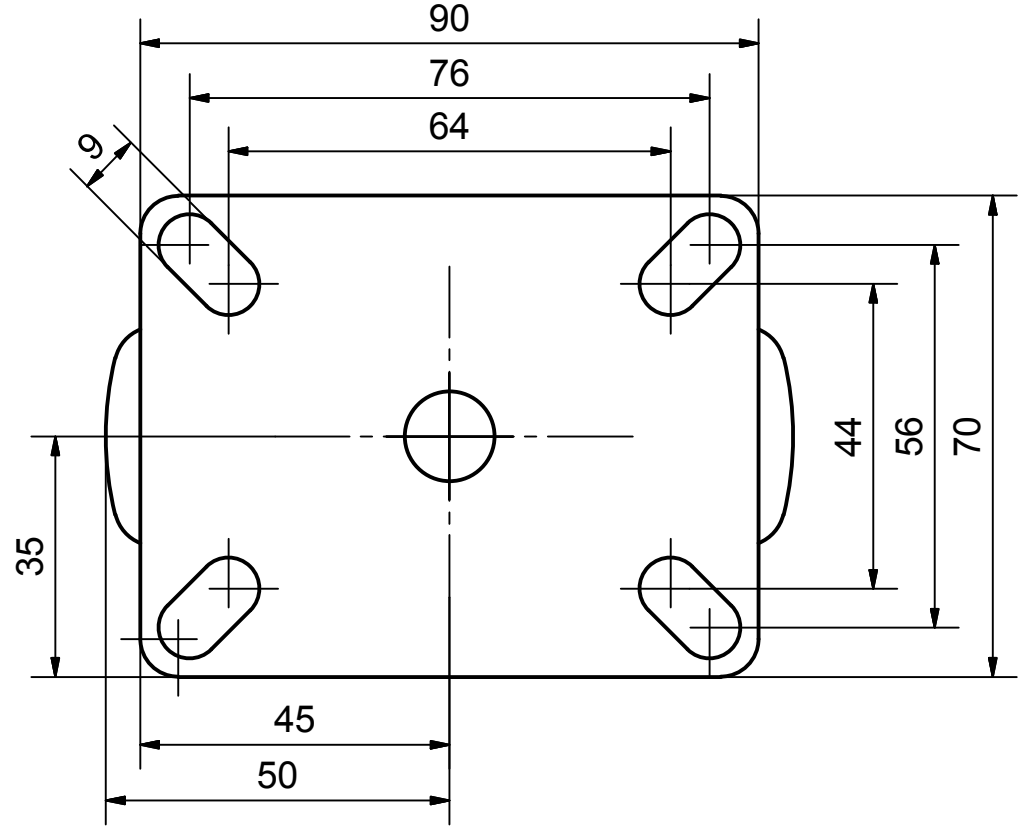


6 5 4 3 2 1

D
C
B
A




**Load Capacity: 90kg, for speed up to 4km/h
(According to EN 12530)**



6 5 4 3 2 1

D
C
B
A

 PRODUCTION OF INSTITUTIONAL CASTORS AND WHEELS THESSALONIKI - GREECE This drawing is the property of RODA S.A. It must neither be reproduced in any manner nor shall it be submitted to third parties or competitors without our written consent	PERMIS. VARIATIONS:		PART No:	
	SURFACE FINISH:		UNF . DIM.:	
DESIGNED 22/7/2013 E.POLIMEROPOULOU DRAWN 22/7/2013 E.POLIMEROPOULOU CHECKED 22/7/2013 H.SAATSOGLOU			PART NAME : S.100.TPA.TF	
C3 B2 A1 A/A			PART DESCRIPTION : Fixed castor, steel support, top plate fitting.Wheel 100x32mm,non marking grey rubber (82shA) plain bearing	
QUANTITY REPLACE :		SCALE		DRAWING NUMBER : SHEET No.
GEN. DWG. NUM. :			1	

A