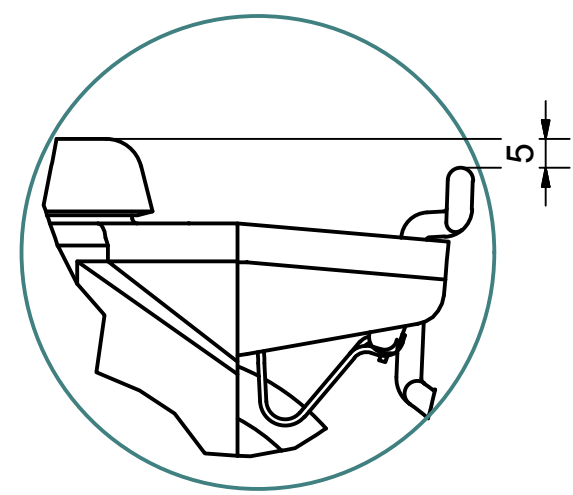
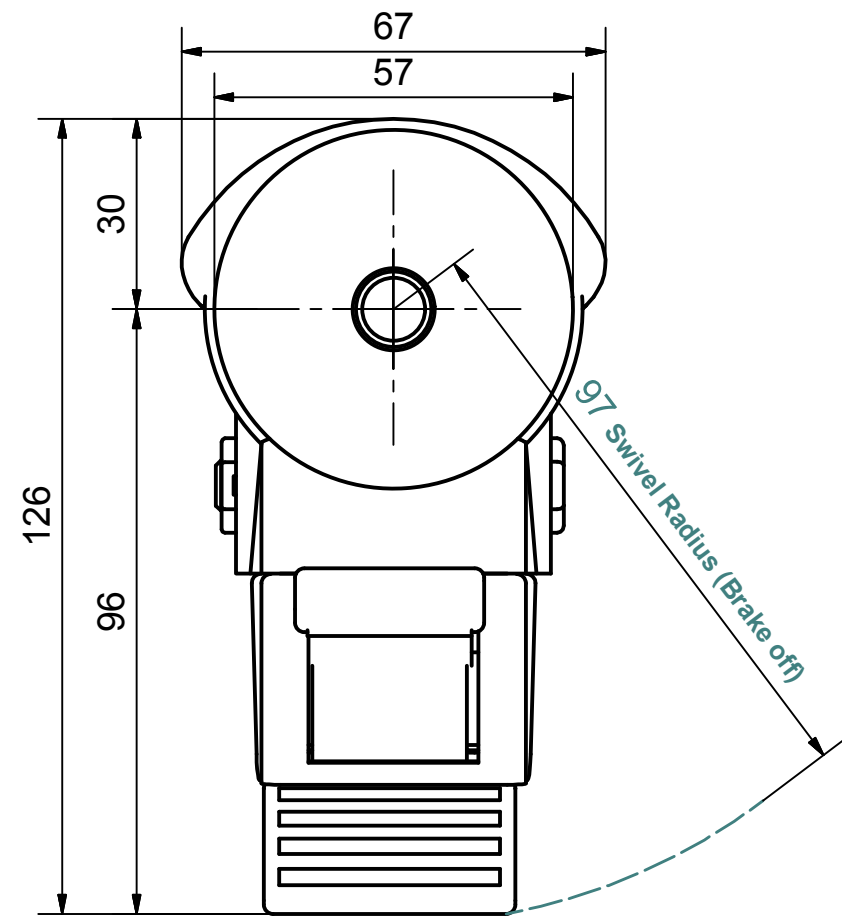



**Load Capacity: 70kg, for speed up to 4km/h
(According to EN 12530)**



 PRODUCTION OF INSTITUTIONAL CASTORS AND WHEELS THESSALONIKI - GREECE	PERMIS. VARIATIONS:		PART No.:
	SURFACE FINISH:		UNF . DIM.:
This drawing is the property of RODA S.A. It must neither be reproduced in any manner nor shall it be submitted to third parties or competitors without our written consent	DESIGNED 19/7/2013 E.POLIMEROPOULOU	PART NAME : S.075.TPA.BSBKG	
	DRAWN 19/7/2013 E.POLIMEROPOULOU	PART DESCRIPTION : Swivel+brake castor, steel support, bolt stem M12X25mm.Wheel 75x32mm,non marking grey rubber (82shA) plain bearing,steel thread	
	CHECKED 19/7/2013 H.SAATSOGLOU	QUANTITY	SCALE
C3 B2 A1 A/A	REPLACE :	GEN. DWG. NUM. :	DRAWING NUMBER :