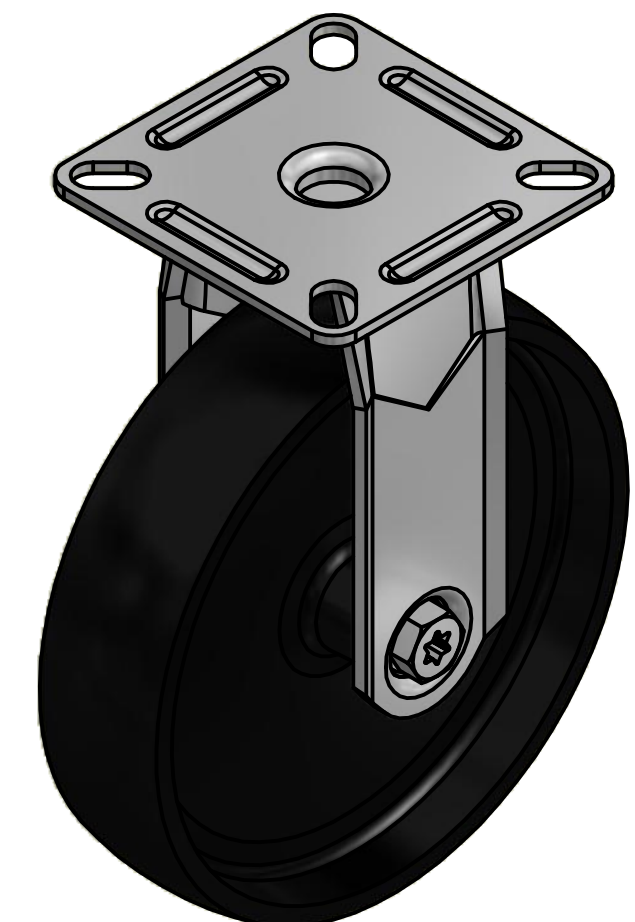
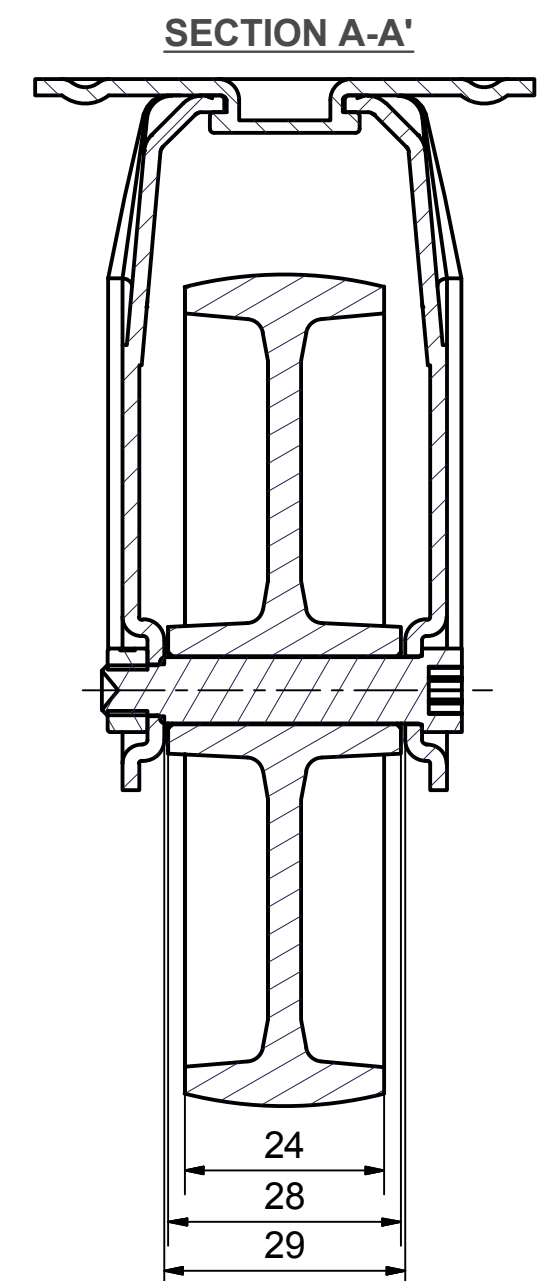
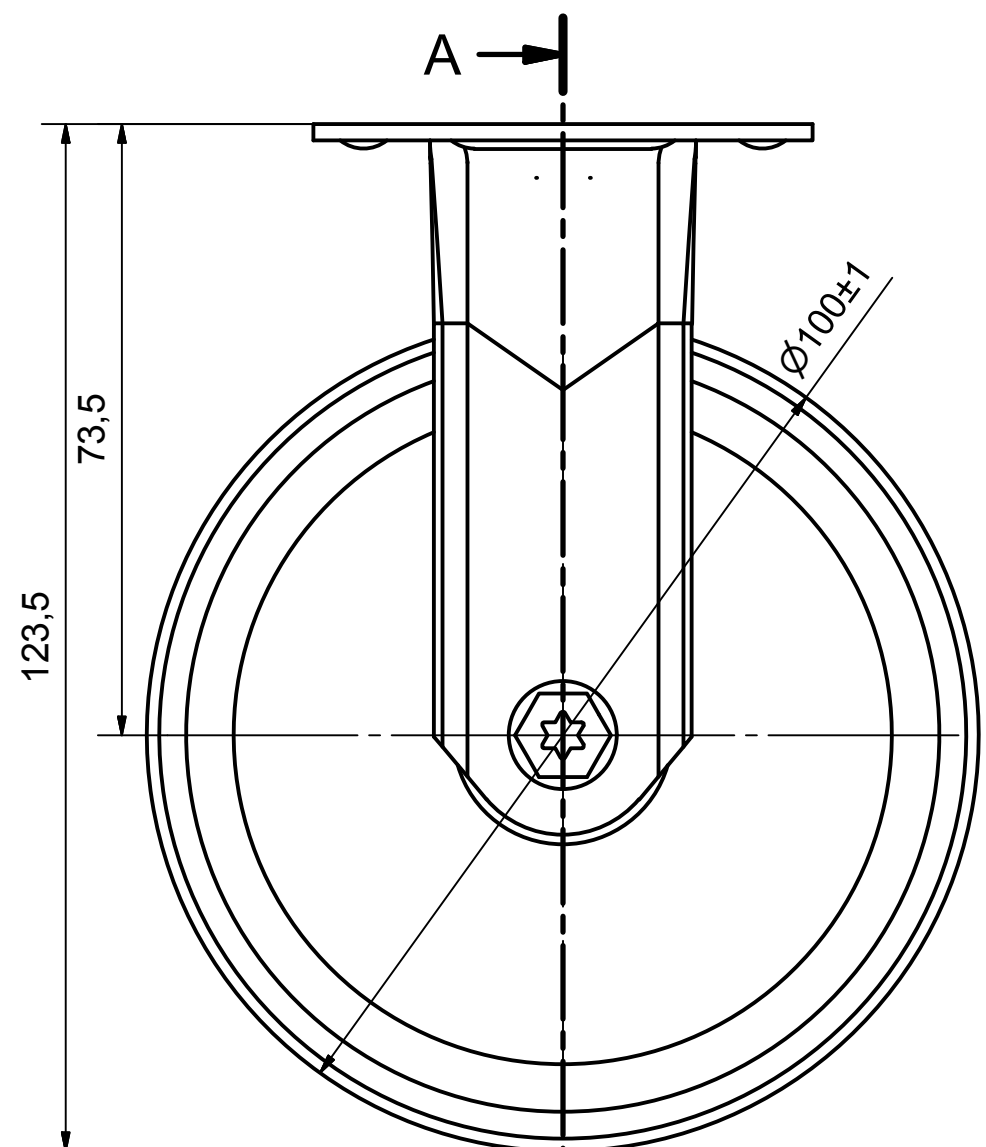
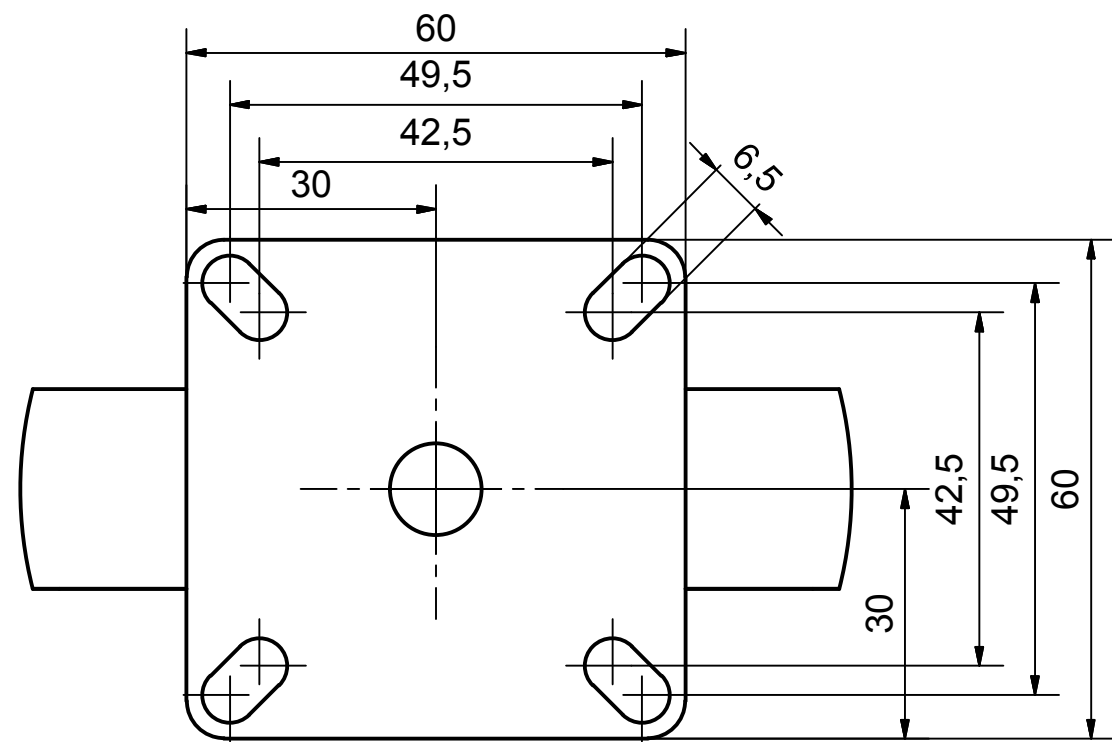


6 5 4 3 2 1

D
C
B
A




**Load Capacity: 70kg, for speed up to 4km/h
(According to EN 12530)**



6 5 4 3 2 1

D
C
B
A

| | | | |
|---|---------------------|------------------|--|
|  PRODUCTION OF INSTITUTIONAL CASTORS AND WHEELS THESSALONIKI - GREECE | PERMIS. VARIATIONS: | | PART No: |
| | SURFACE FINISH : | | UNF . DIM.: |
| This drawing is the property of RODA S.A. It must neither be reproduced in any manner nor shall it be submitted to third parties or competitors without our written consent | DESIGNED | 8/7/2013 | E.POLIMEROPOULOU |
| | DRAWN | 8/7/2013 | E.POLIMEROPOULOU |
| | CHECKED | 8/7/2013 | H.SAATZOGLU |
| PART NAME : MX.100.PA.TF | | | PART DESCRIPTION : Fixed castor, stainless support, top plate fitting.Wheel 100x24mm,black polypropylene plain bearing |
| DRAWING NUMBER : | | SHEET No. | |
| QUANTITY | | SCALE | |
| REPLACE : | | GEN. DWG. NUM. : | |

A