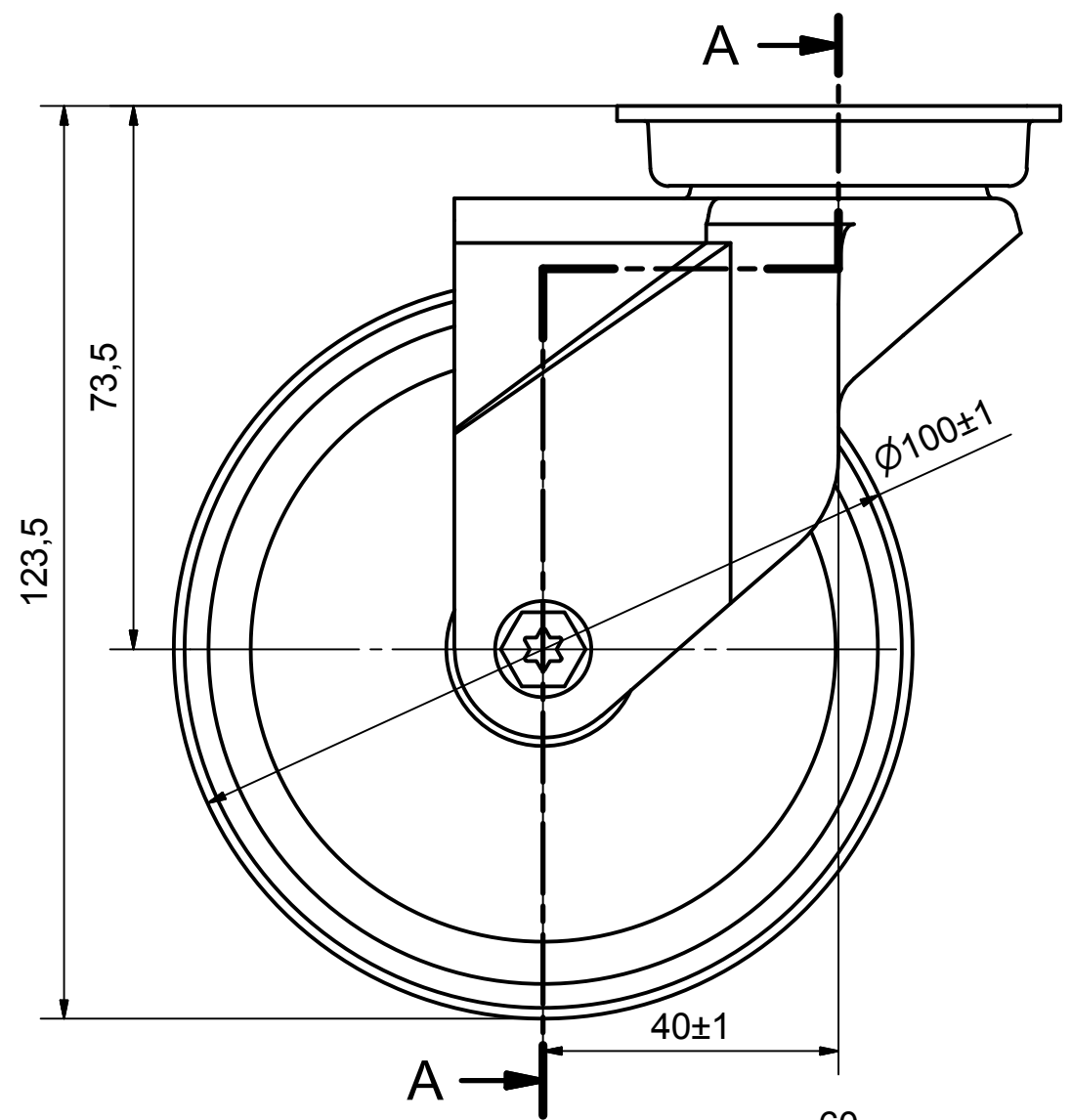
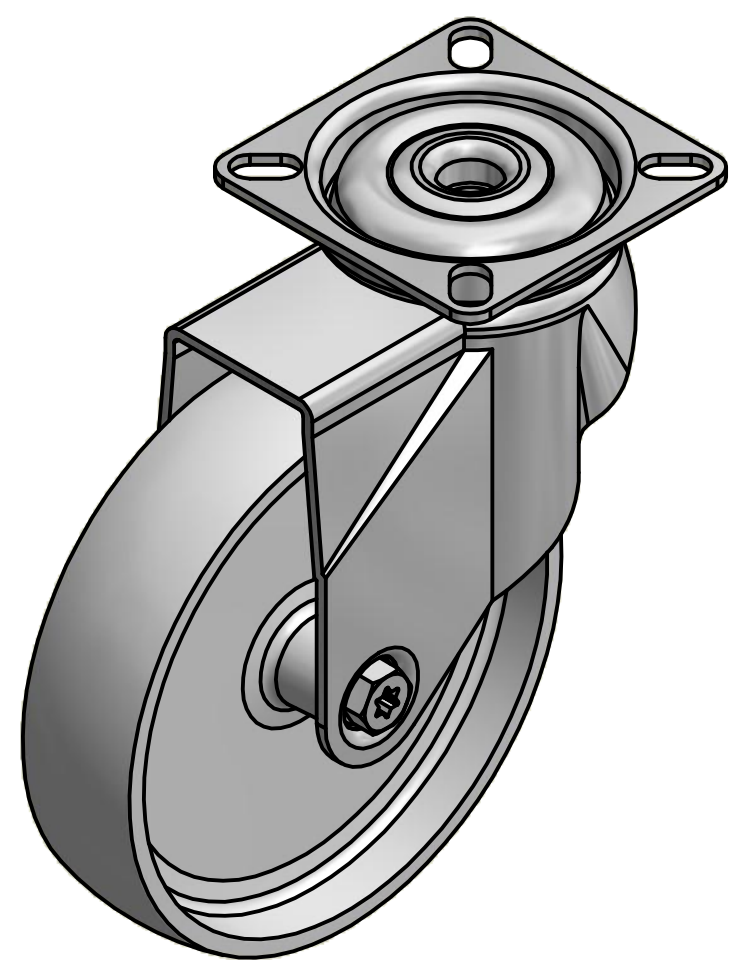
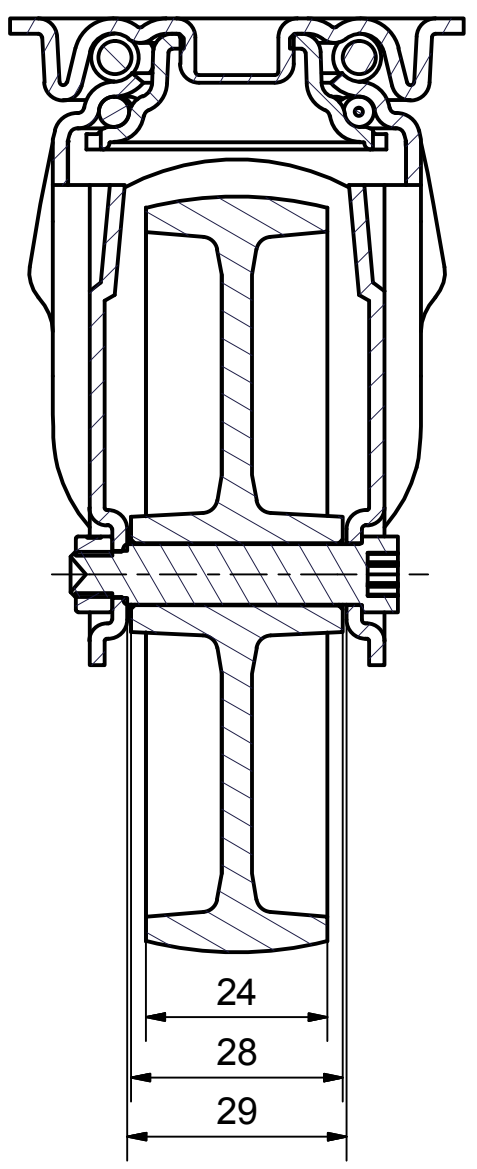


6 5 4 3 2 1

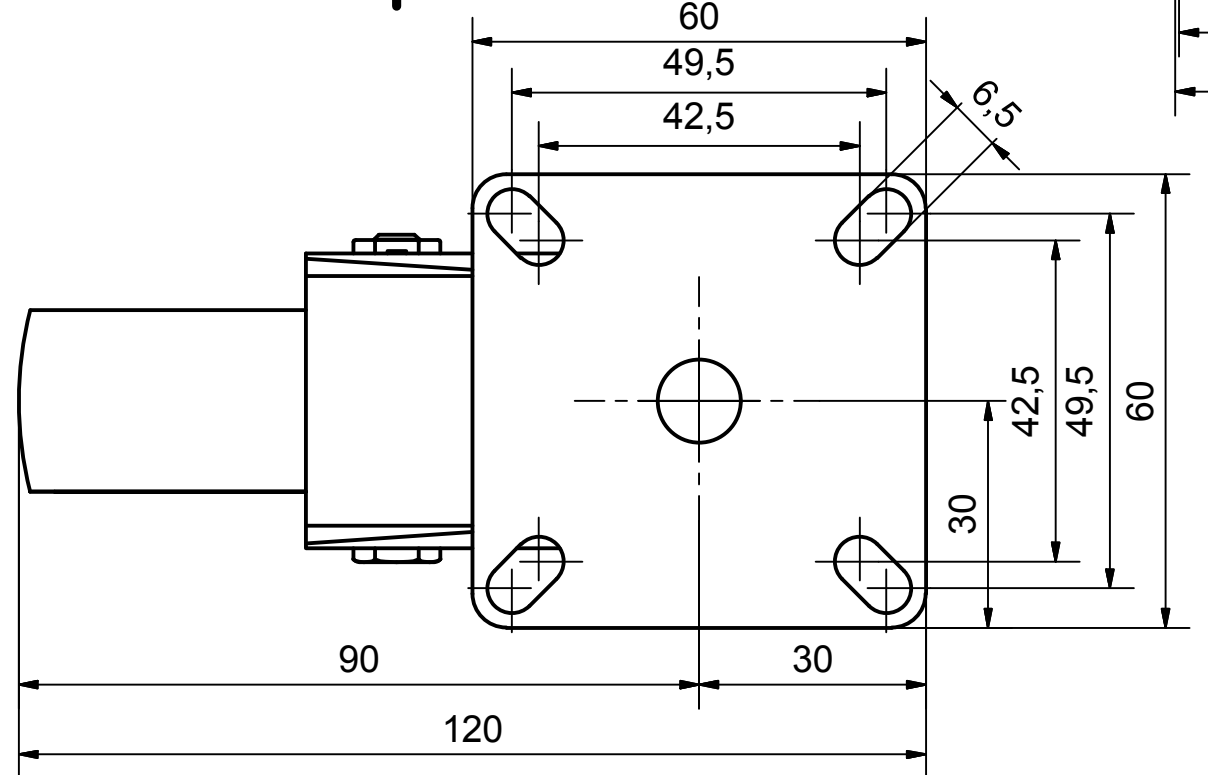
D
C
B
A




SECTION A-A'



Load Capacity: 70kg, for speed up to 4km/h
(According to EN 12530)



| | | | | |
|---|---------------------|------------------|--|------------------|
|  PRODUCTION OF INSTITUTIONAL CASTORS AND WHEELS THESSALONIKI - GREECE | PERMIS. VARIATIONS: | | PART No: | |
| | SURFACE FINISH: | | UNF . DIM.: | |
| This drawing is the property of RODA S.A. It must neither be reproduced in any manner nor shall it be submitted to third parties or competitors without our written consent | | | PART NAME : MX.100.NA.TS | |
| DESIGNED | 8/7/2013 | E.POLIMEROPOULOU | PART DESCRIPTION : Swivel castor, stainless support, top plate fitting.Wheel 100x24mm,white polyamide plain bearing | |
| DRAWN | 8/7/2013 | E.POLIMEROPOULOU | DRAWING NUMBER : | |
| CHECKED | 8/7/2013 | H.SAATZOGLU | SHEET No. | |
| C3 | | | QUANTITY | SCALE |
| B2 | | | REPLACE : | GEN. DWG. NUM. : |
| A1 | | | | |
| A/A | | | | |

6 5 4 3 2 1