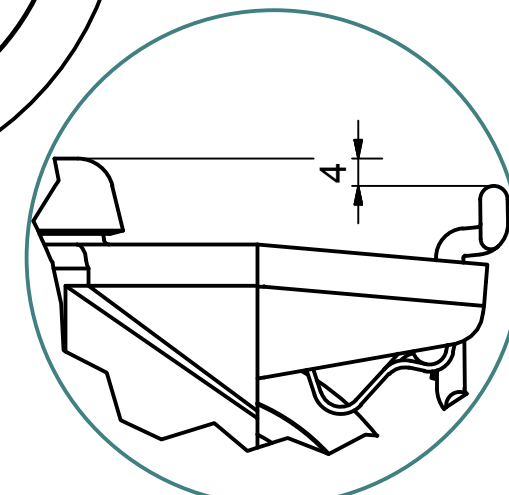
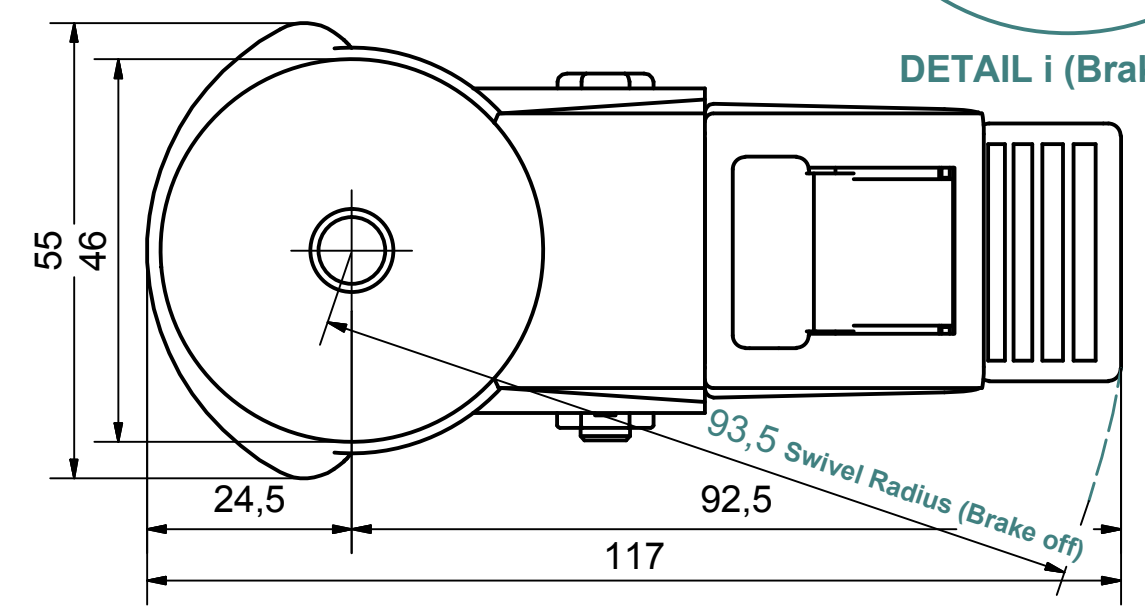



Load Capacity: 60kg, for speed up to 4km/h
(According to EN 12530)



DETAIL i (Brake on)



 PRODUCTION OF INSTITUTIONAL CASTORS AND WHEELS THESSALONIKI - GREECE This drawing is the property of RODA S.A. It must neither be reproduced in any manner nor shall it be submitted to third parties or competitors without our written consent	PERMIS. VARIATIONS:		PART No:
	SURFACE FINISH:		UNF . DIM.:
			PART NAME : MX.075.CPA.BSBKGX
	DESIGNED 4/7/2013 E.POLIMEROPOULOU	PART DESCRIPTION : Swivel+brake castor, stainless support, bolt stem M10X20mm.Wheel 75x24mm,electric conductive non marking grey rubber (82shA) pl	
	DRAWN 4/7/2013 E.POLIMEROPOULOU	DRAWING NUMBER :	
	CHECKED 4/7/2013 H.SAATZOGLOU	SHEET No.	
C3		QUANTITY	SCALE
B2		REPLACE :	GEN. DWG. NUM. :
A1			
A/A			