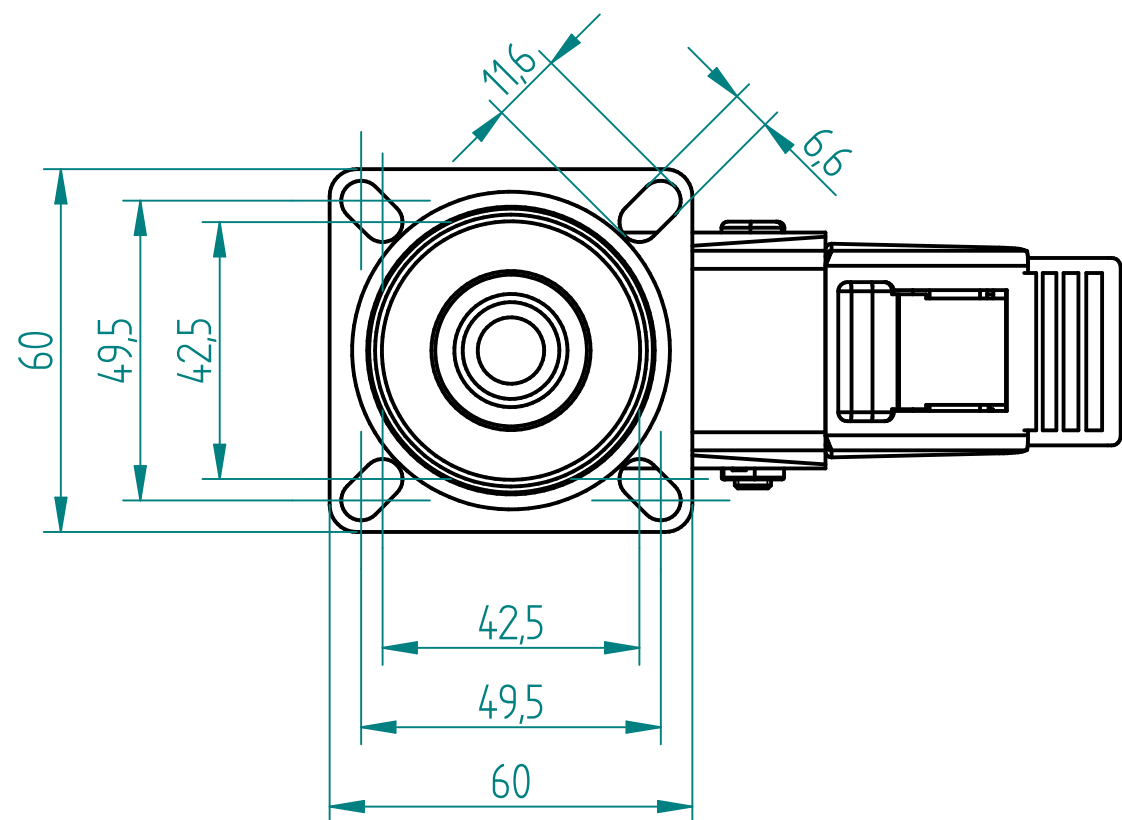
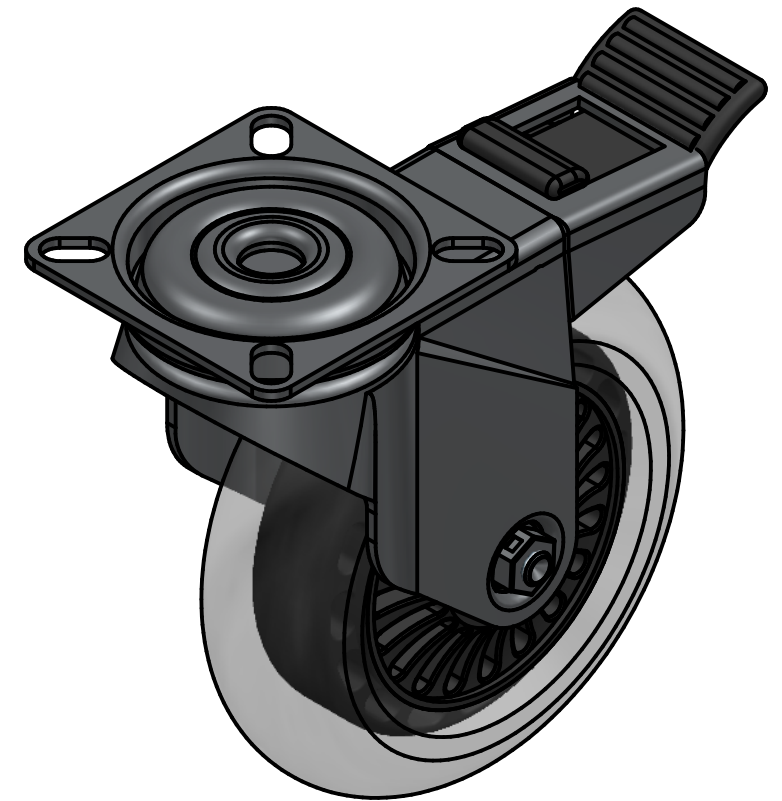



SECTION A-A



Load Capacity : 60Kg, for speed up to 4Km/h
(according to EN12530:1998)

 PRODUCTION OF INSTITUTIONAL CASTORS AND WHEELS THESSALONIKI - GREECE This drawing is the property of RODA S.A. It must neither be reproduced in any manner nor shall it be submitted to third parties or competitors without our written consent	PERMIS. VARIATIONS:		PART No:
	SURFACE FINISH:		UNF. DIM.:
DESIGNED 13/7/2021 ALISANDRATOS S. DRAWN 13/7/2021 ALISANDRATOS S. CHECKED 13/7/2021 SAATSOGLU H.	MATERIAL:		Swivel castor with brake, steel support, top plate fitting. Wheel 100x30mm, non marking PU (85ShA), ball bearing.
	PART DESCRIPTION:		
	M100SPUSTSBK		DRAWING
C3		QUANTITY	SCALE
B2		REPLACE	GEN. DWG. NUM. :
A1			
A/A			