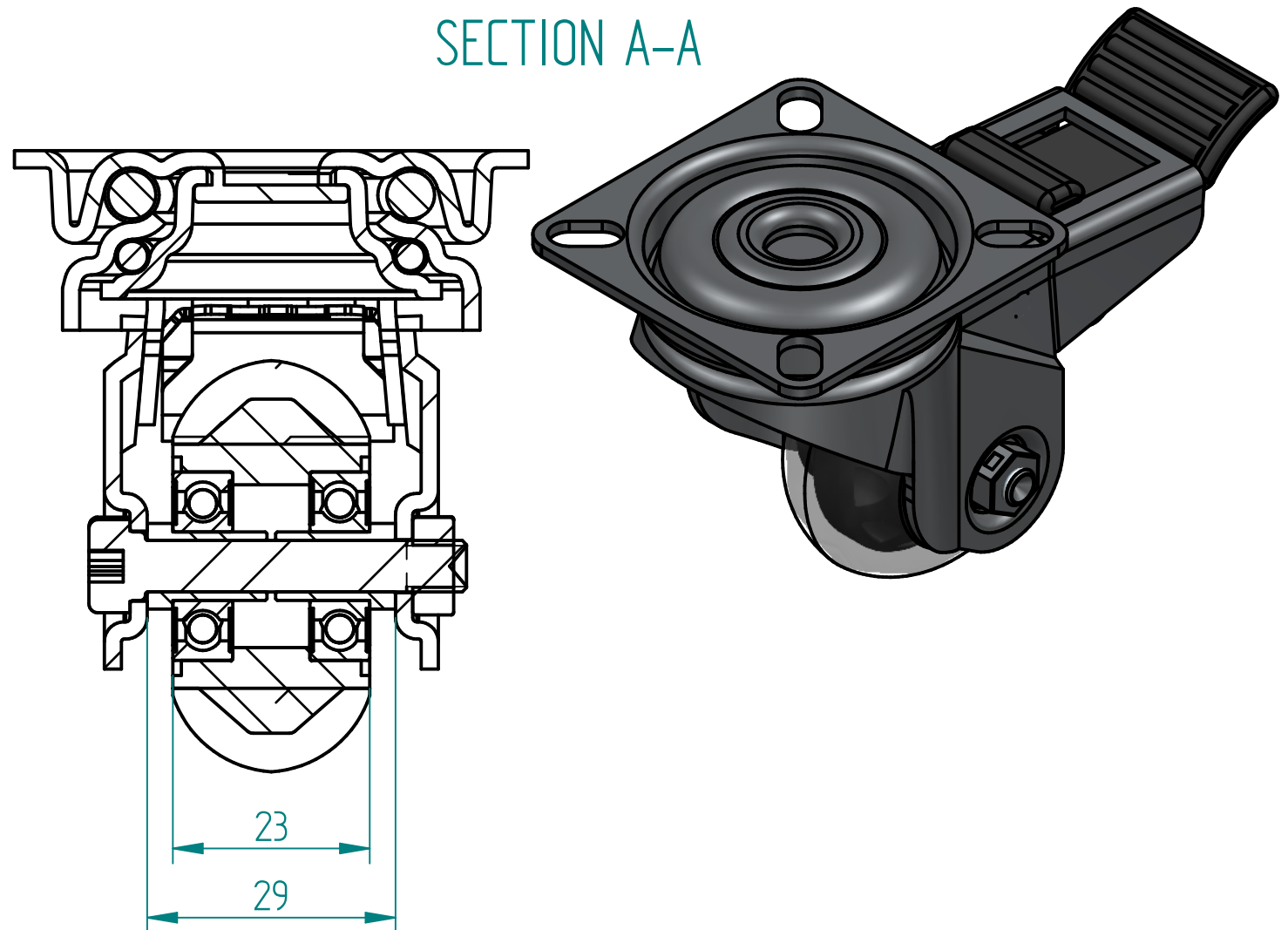



SECTION A-A



Load Capacity : 25Kg, for speed up to 4Km/h
(according to EN12530:1998)

	PRODUCTION OF INSTITUTIONAL CASTORS AND WHEELS		PERMIS. VARIATIONS:	PART No:		
	THESSALONIKI - GREECE		SURFACE FINISH:	UNF. DIM.:		
This drawing is the property of RODA S.A. It must neither be reproduced in any manner nor shall it be submitted to third parties or competitors without our written consent			DESIGNED 13/7/2021 ALISANDRATOS S.	MATERIAL: Swivel castor with brake, steel support, top plate fitting. Wheel 48x23mm, non marking PU (85ShA), ball bearing.		
			DRAWN 13/7/2021 ALISANDRATOS S.	PART DESCRIPTION : M050PUSTSBK		
			CHECKED 13/7/2021 SAATSOGLU H.			
C3			QUANTITY	SCALE	DRAWING	SHEET No.
B2			REPLACE			
A1					GEN. DWG. NUM. :	
A/A						