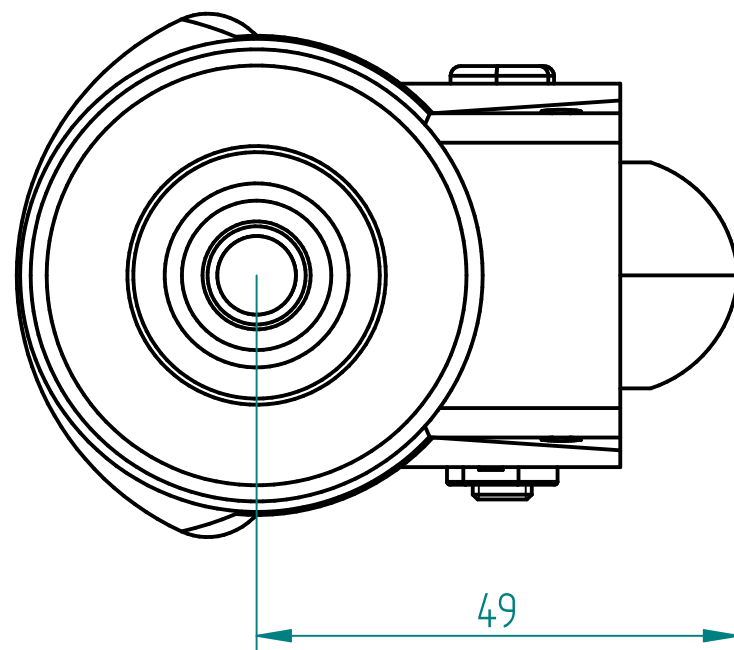
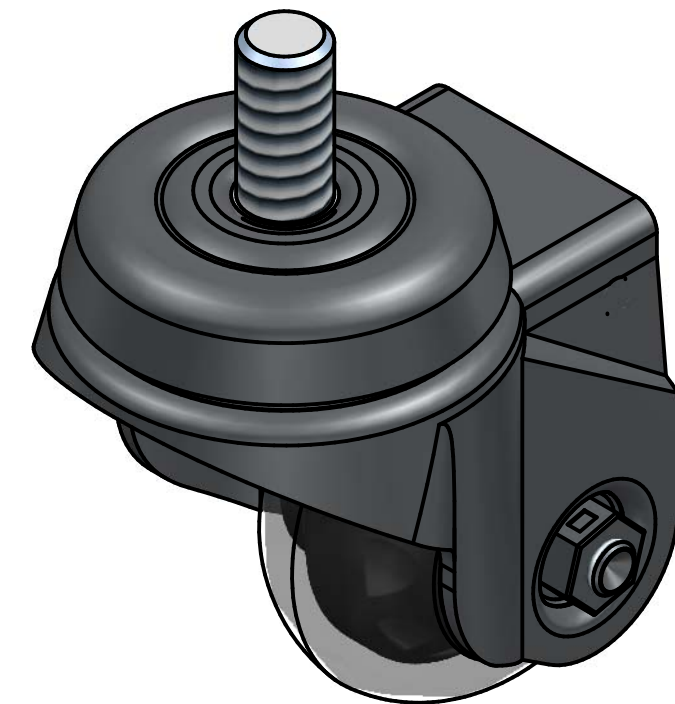



SECTION A-A



Load Capacity : 25Kg, for speed up to 4Km/h
(according to EN12530:1998)

 PRODUCTION OF INSTITUTIONAL CASTORS AND WHEELS THESSALONIKI - GREECE This drawing is the property of RODA S.A. It must neither be reproduced in any manner nor shall it be submitted to third parties or competitors without our written consent	PERMIS. VARIATIONS:		PART No:		
	SURFACE FINISH:		UNF. DIM.:		
		MATERIAL : Swivel castor, steel support, bolt stem M10x20mm. Wheel 48x23mm, non marking PU (85ShA), ball bearing.		PART DESCRIPTION : M050PUSBS	
		DESIGNED 13/7/2021 ALISANDRATOS S.	DRAWING		
		DRAWN 13/7/2021 ALISANDRATOS S.	SHEET No.		
		CHECKED 13/7/2021 SAATSOGLOU H.	DRAWING		
C3			QUANTITY	SCALE	GEN. DWG. NUM. :
B2			REPLACE		
A1					
A/A					