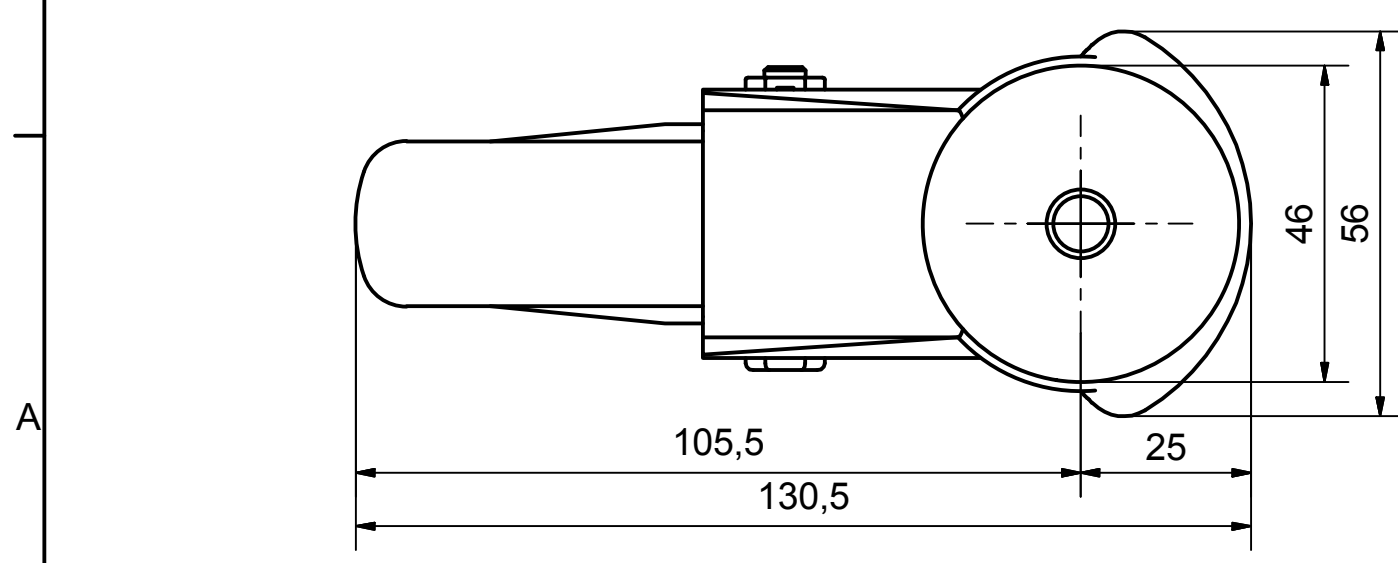



**Load Capacity: 80kg, for speed up to 4km/h
(According to EN 12530)**



	PRODUCTION OF INSTITUTIONAL CASTORS AND WHEELS THESSALONIKI - GREECE		PERMIS. VARIATIONS:	PART No:
	This drawing is the property of RODA S.A. It must neither be reproduced in any manner nor shall it be submitted to third parties or competitors without our written consent		SURFACE FINISH :	UNF . DIM.:
DESIGNED 15/7/2013 E.POLIMEROPOULOU DRAWN 15/7/2013 E.POLIMEROPOULOU CHECKED 15/7/2013 H.SAATSOGLOU	QUANTITY REPLACE :	SCALE	PART NAME : M.125.CPA.BSG	
C3 B2 A1 A/A	DRAWING NUMBER :	SHEET No.	PART DESCRIPTION : Swivel castor, steel support, bolt stem M10X20mm.Wheel 125x24mm,electric conductive non marking grey rubber (82shA) plain beari	
GEN. DWG. NUM. :			DRAWING NUMBER :	