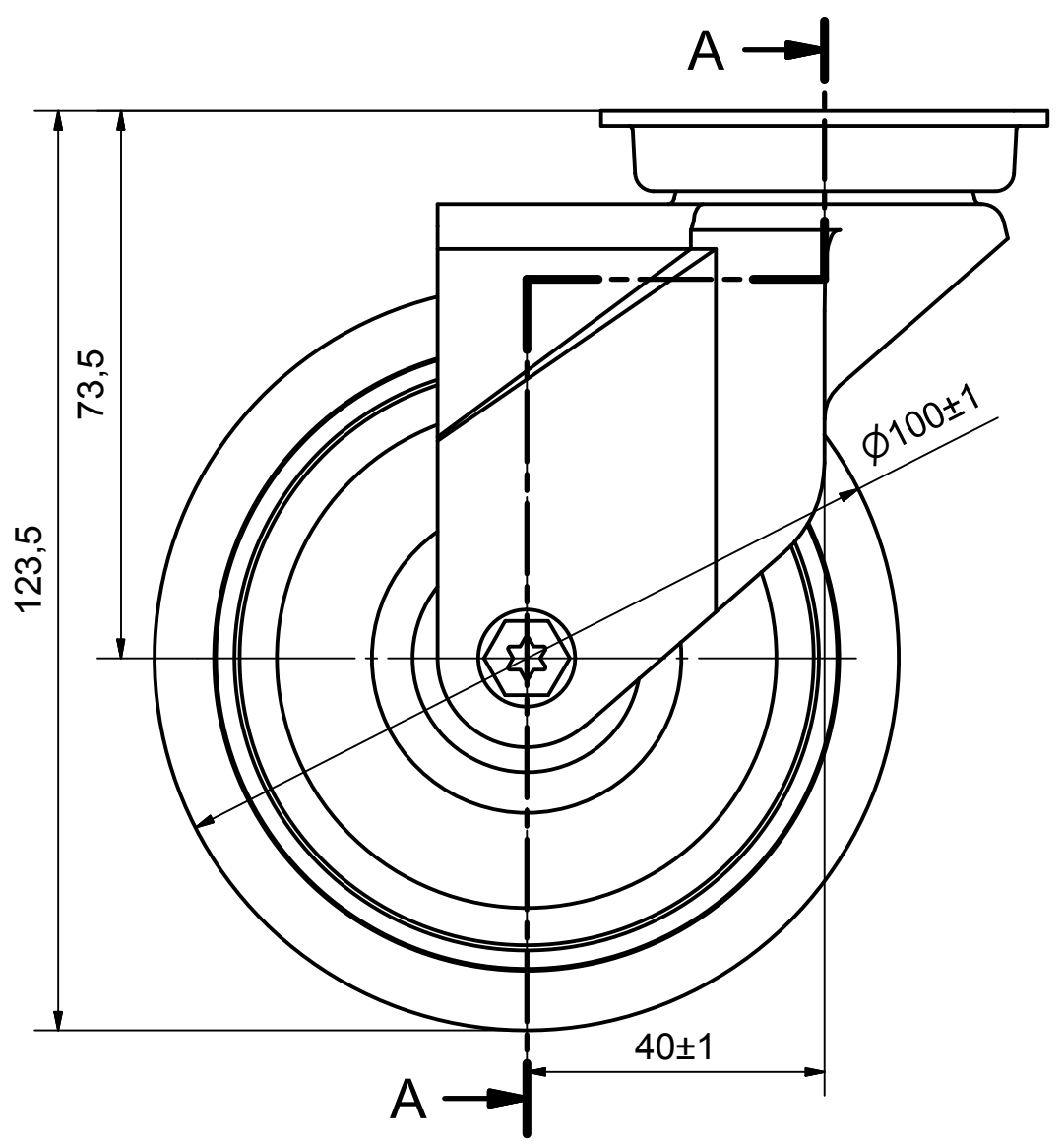
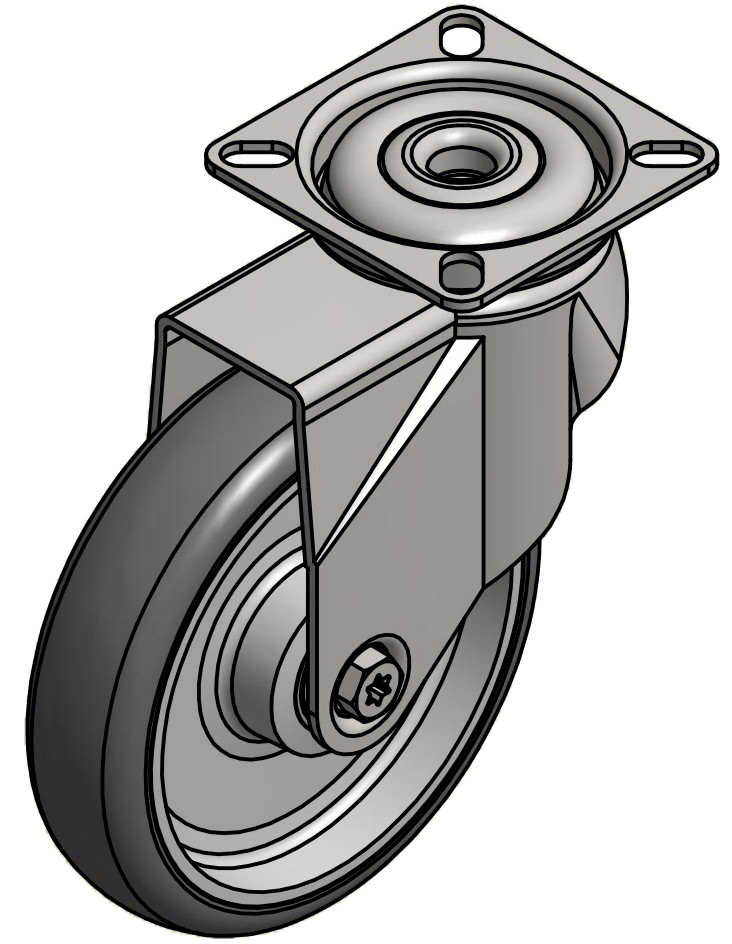
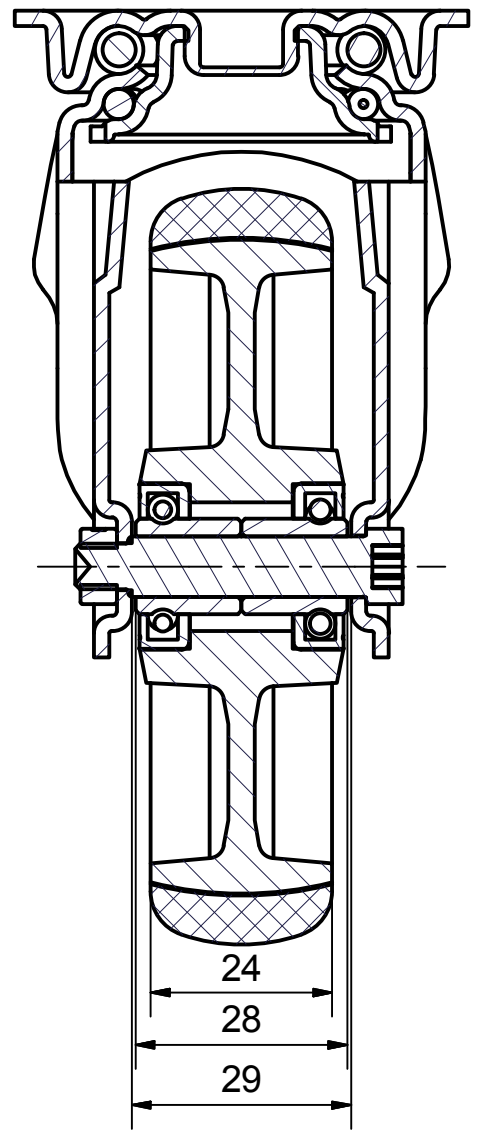


6 5 4 3 2 1

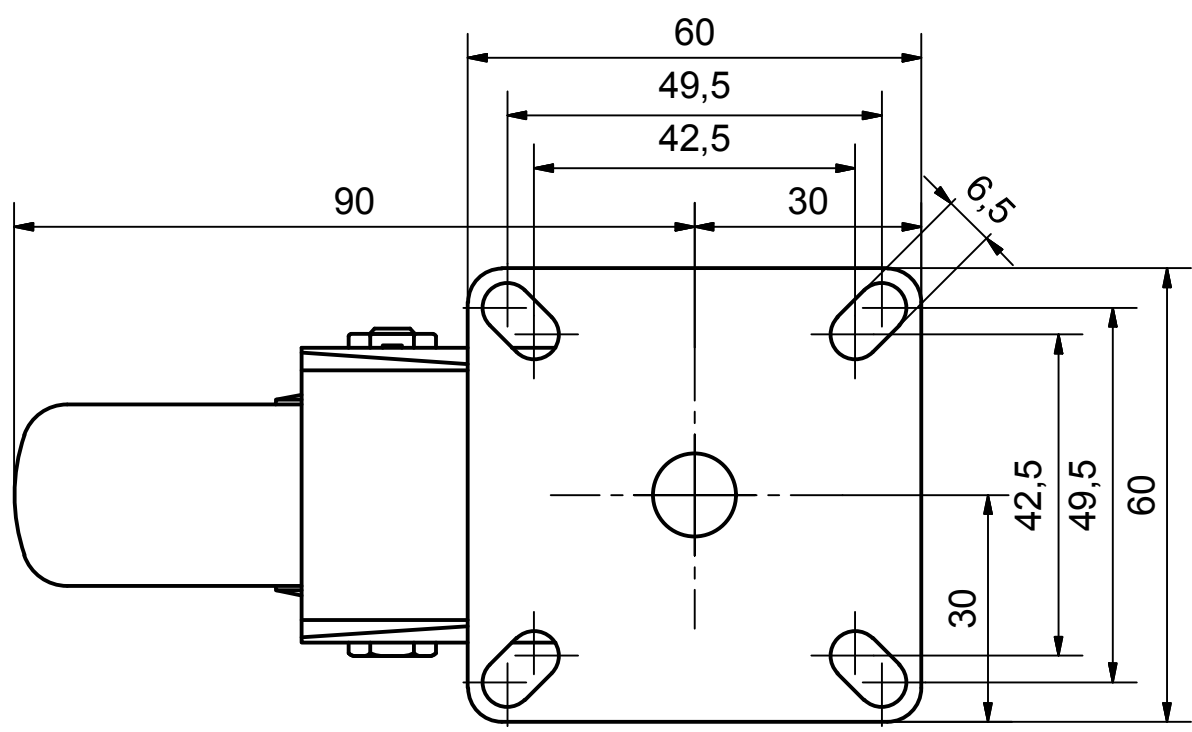
D
C
B
A




SECTION A-A'



**Load Capacity: 100kg, for speed up to 4km/h
(According to EN 12530)**



	PRODUCTION OF INSTITUTIONAL CASTORS AND WHEELS THESSALONIKI - GREECE		PERMIS. VARIATIONS:	PART No:
	This drawing is the property of RODA S.A. It must neither be reproduced in any manner nor shall it be submitted to third parties or competitors without our written consent		SURFACE FINISH:	UNF . DIM.:
DESIGNED 8/7/2013 E.POLIMEROPOULOU	DRAWN 8/7/2013 E.POLIMEROPOULOU	CHECKED 8/7/2013 H.SAATZOGLU	PART NAME :	M.100.TPC.TS
C3 B2 A1 A/A	QUANTITY REPLACE :	SCALE	PART DESCRIPTION : Swivel castor, steel support, top plate fitting.Wheel 100x24mm,non marking grey rubber (82shA) double ball bearings	DRAWING NUMBER : SHEET No.
			GEN. DWG. NUM. :	

6 5 4 3 2 1