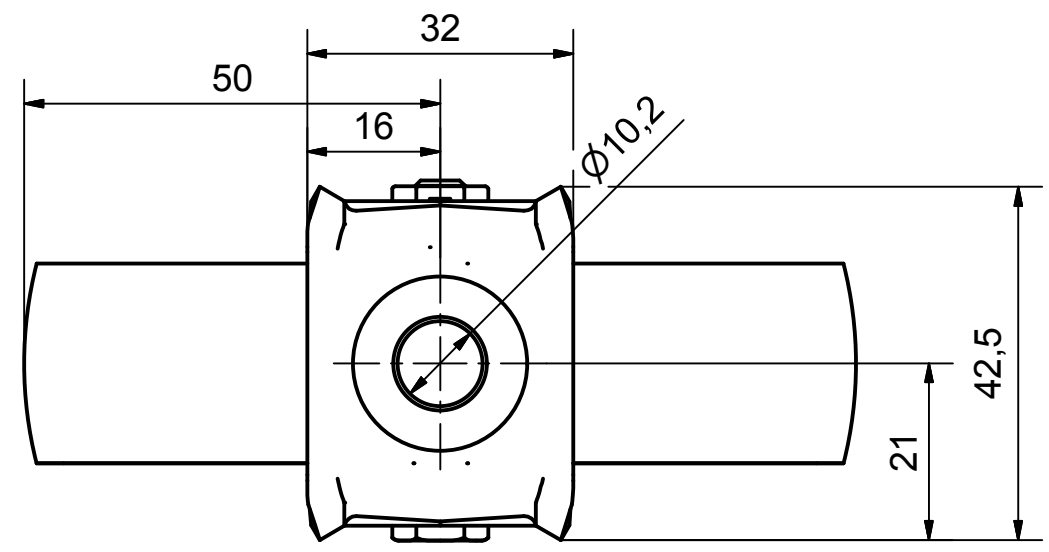



**Load Capacity: 70kg, for speed up to 4km/h
(According to EN 12530)**



	PRODUCTION OF INSTITUTIONAL CASTORS AND WHEELS THESSALONIKI - GREECE			PERMIS. VARIATIONS:	PART No:
	This drawing is the property of RODA S.A. It must neither be reproduced in any manner nor shall it be submitted to third parties or competitors without our written consent			SURFACE FINISH :	UNF . DIM.:
DESIGNED 9/7/2013 E.POLIMEROPOULOU DRAWN 9/7/2013 E.POLIMEROPOULOU CHECKED 9/7/2013 H.SAATZOGLOU			QUANTITY	SCALE	PART NAME : M.100.NA.HF
C3 B2 A1 A/A			REPLACE :	PART DESCRIPTION : Fixed castor, steel support, bolt hole fitting (10,2mm).Wheel 100x24mm,white polyamide plain bearing	DRAWING NUMBER : SHEET No.
					GEN. DWG. NUM. :