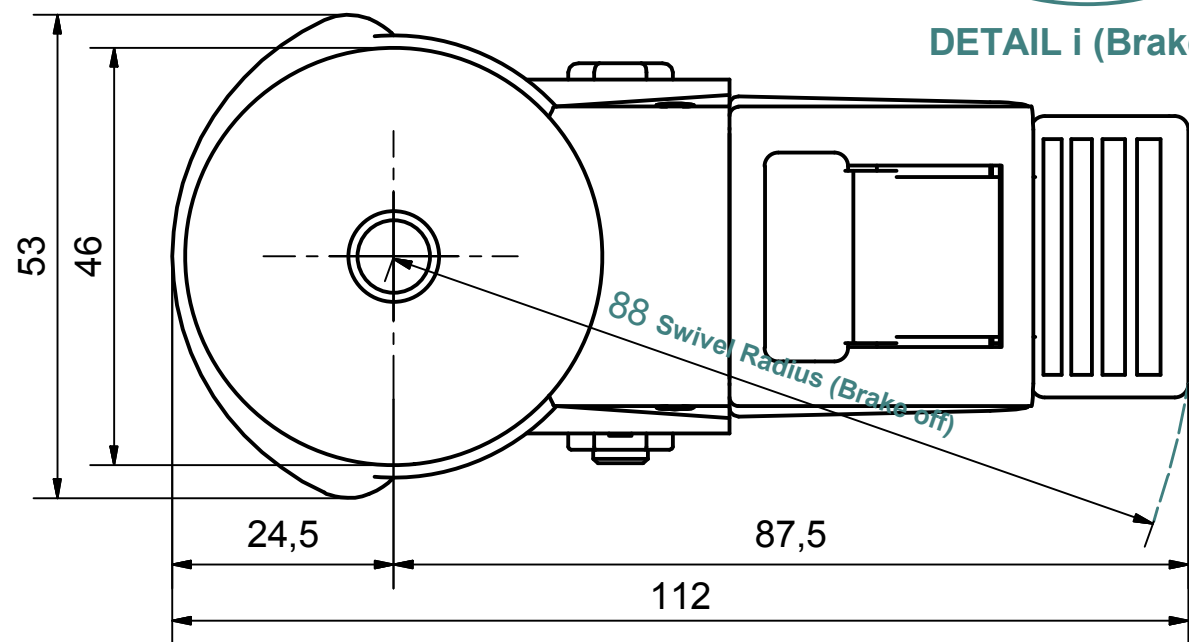



**Load Capacity: 50kg, for speed up to 4km/h
(According to EN 12530)**



 PRODUCTION OF INSTITUTIONAL CASTORS AND WHEELS THESSALONIKI - GREECE	PERMIS. VARIATIONS:		PART No.:
	SURFACE FINISH:		UNF . DIM.:
This drawing is the property of RODA S.A. It must neither be reproduced in any manner nor shall it be submitted to third parties or competitors without our written consent	DESIGNED 28/6/2013 E.POLIMEROPOULOU DRAWN 28/6/2013 E.POLIMEROPOULOU CHECKED 28/6/2013 H.SAATZOGLU	PART NAME : M.050.TPC.BSBKG	PART DESCRIPTION : Swivel+brake castor, steel support, bolt stem M10X20mm.Wheel 50x24mm,non marking grey rubber (82shA) double ball bearings,steel
C3 B2 A1 A/A	QUANTITY REPLACE :	SCALE	DRAWING NUMBER : SHEET No.
		GEN. DWG. NUM. :	