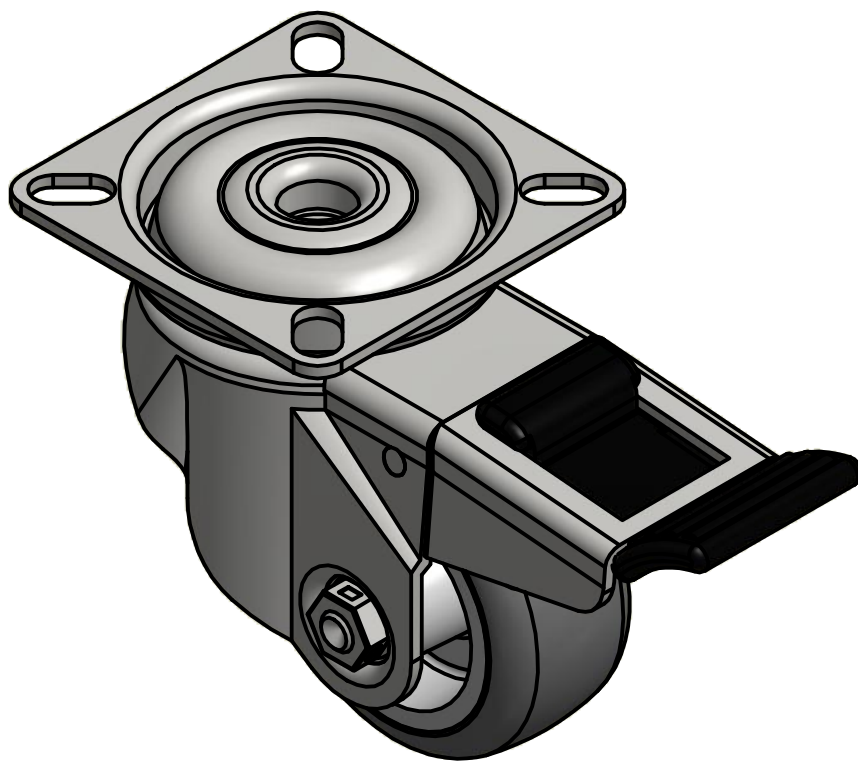
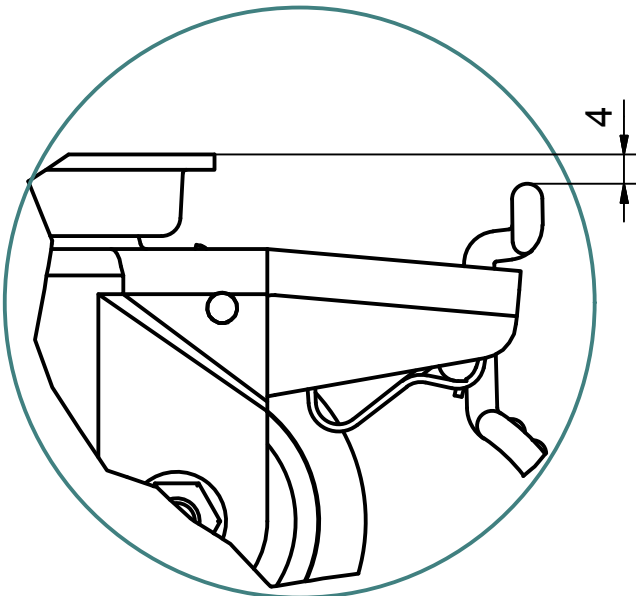
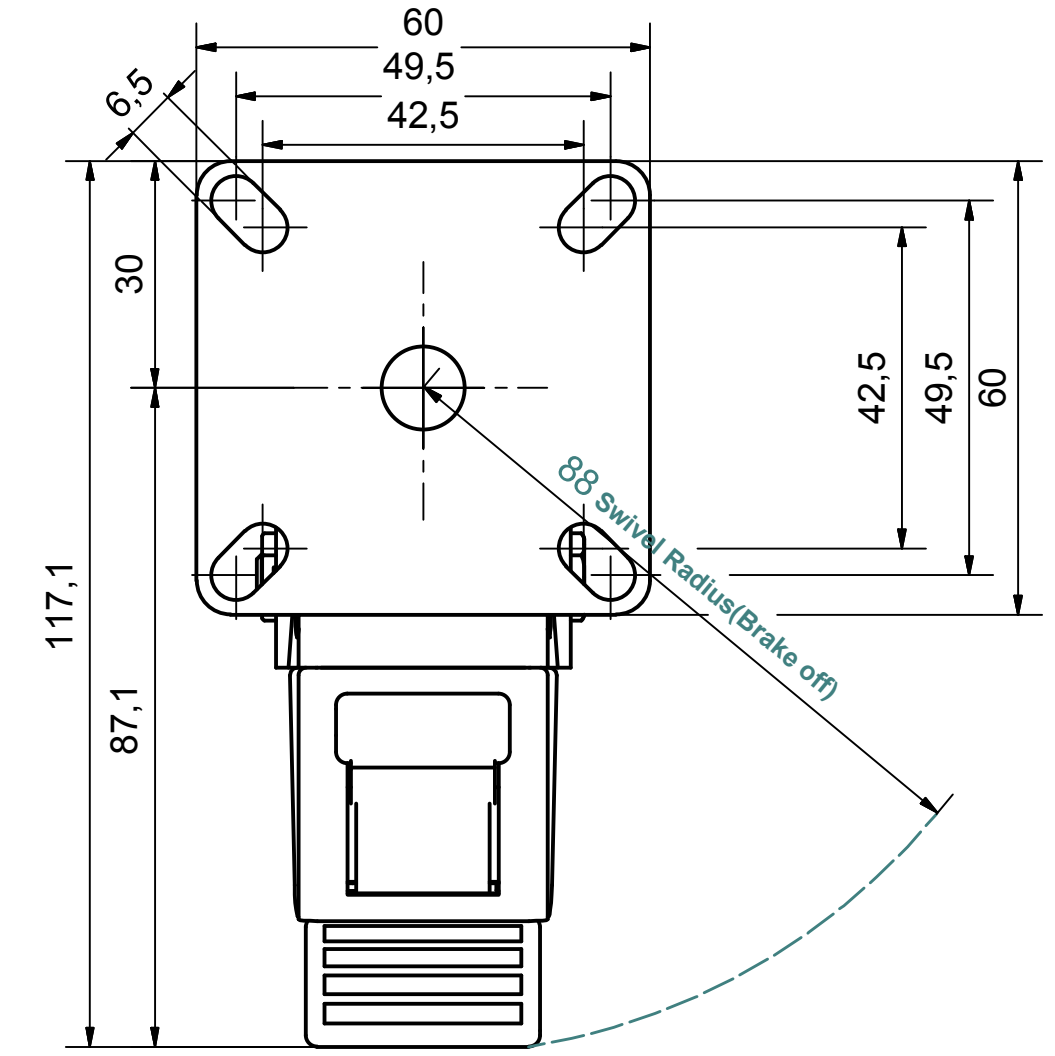


SECTION A-A'


DETAIL i



Load Capacity: 50kg, for speed up to 4km/h
(According to EN 12530)



DETAIL i (Brake on)

 PRODUCTION OF INSTITUTIONAL CASTORS AND WHEELS THESSALONIKI - GREECE	PERMIS. VARIATIONS:		PART No:	
	SURFACE FINISH:		UNF . DIM.:	
This drawing is the property of RODA S.A. It must neither be reproduced in any manner nor shall it be submitted to third parties or competitors without our written consent			PART NAME : M.050.TPA.TSBK	
DESIGNED	25/6/2013	E.POLIMEROPOULOU	PART DESCRIPTION : Swivel+brake castor, steel support, top plate fitting.Wheel 50x24mm,non marking grey rubber (82shA) plain bearing	
DRAWN	25/6/2013	E.POLIMEROPOULOU	DRAWING NUMBER :	
CHECKED	25/6/2013	H.SAATZOGLOU	SHEET No.	
C3			QUANTITY	SCALE
B2			REPLACE :	GEN. DWG. NUM. :
A1				
A/A				