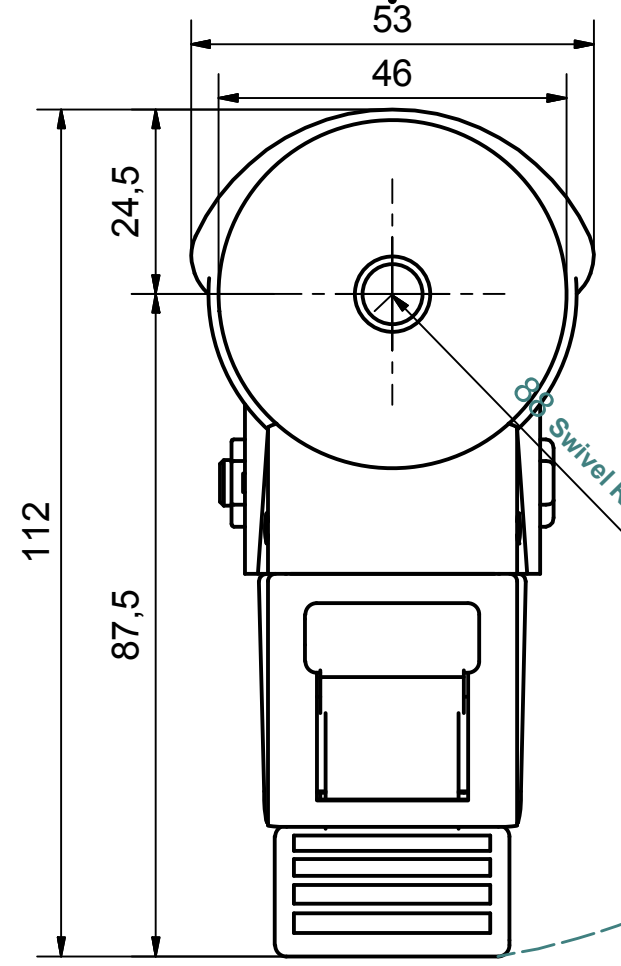
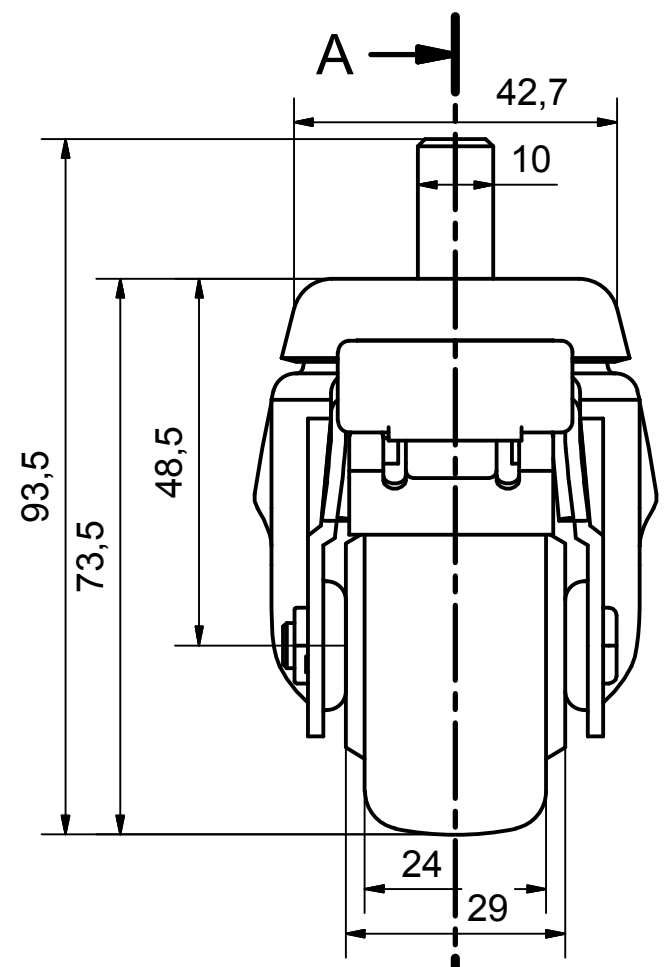
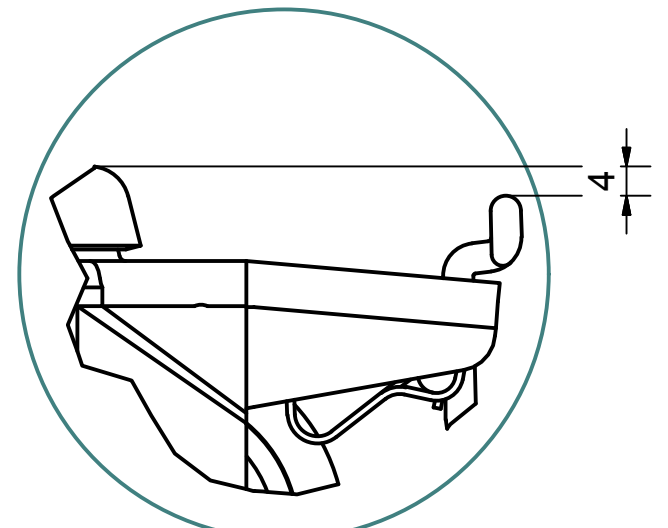
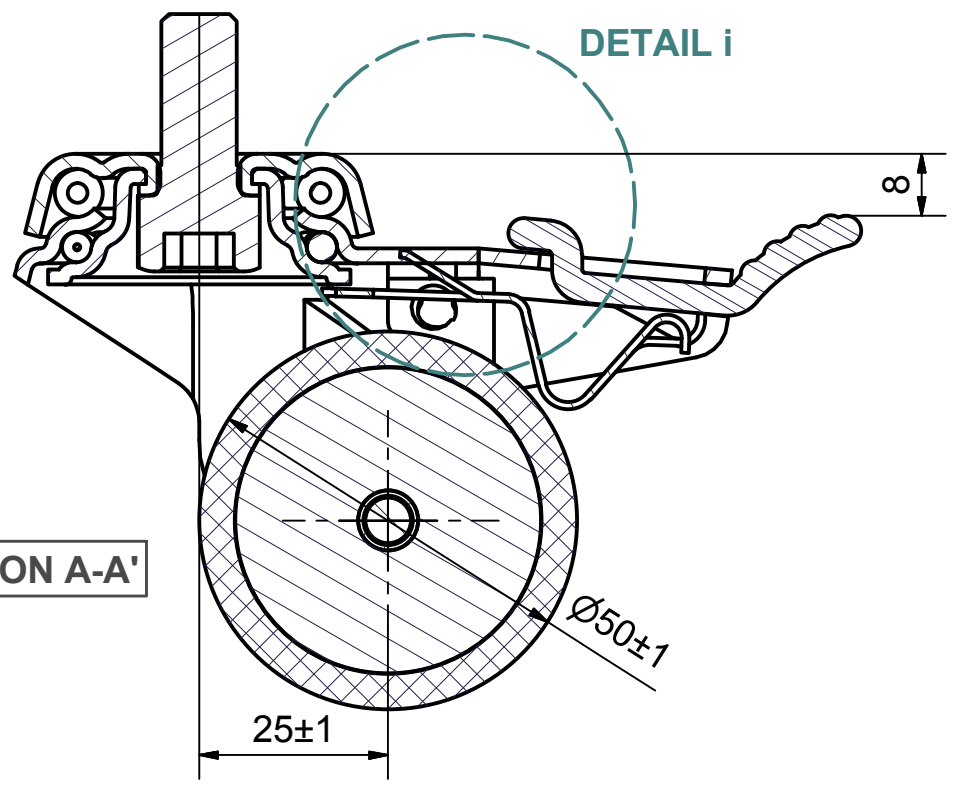


6 5 4 3 2 1

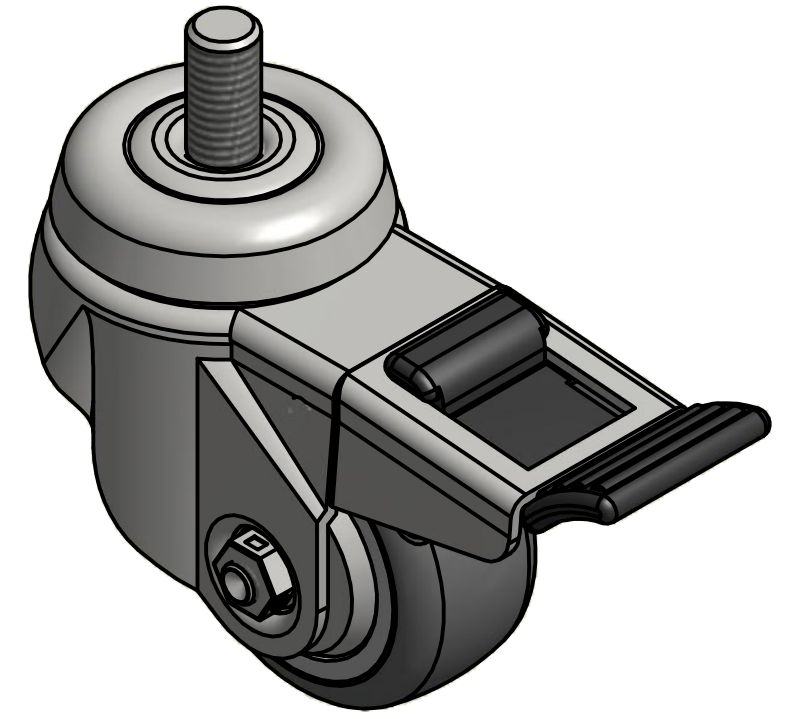
D
C
B
A



SECTION A-A'




DETAIL i (Brake on)



Load Capacity: 50kg, for speed up to 4km/h
(According to EN 12530)

D
C
B
A

6 5 4 3 2 1

 PRODUCTION OF INSTITUTIONAL CASTORS AND WHEELS THESSALONIKI - GREECE	PERMIS. VARIATIONS:		PART No:
	SURFACE FINISH:		UNF . DIM.:
This drawing is the property of RODA S.A. It must neither be reproduced in any manner nor shall it be submitted to third parties or competitors without our written consent	DESIGNED	28/6/2013	E.POLIMEROPOULOU
	DRAWN	28/6/2013	E.POLIMEROPOULOU
	CHECKED	28/6/2013	H.SAATZOGLOU
PART DESCRIPTION : Swivel+brake castor, steel support, bolt stem M10X20mm.Wheel 50x24mm,non marking grey rubber (82shA) plain bearing,steel thread			PART NAME : M.050.TPA.BSBKG
C3 B2 A1 A/A		QUANTITY REPLACE :	SCALE GEN. DWG. NUM. :
DRAWING NUMBER :			SHEET No.